

Fixed Universal Slip Clip

10 and 12 gauge fixed universal slip clip.

The clips are available in standard lengths of 6" and 8" in 12 and 10 gauge. They are ideal for medium to larger standoff conditions. FUS clips install quickly and provide adjustable standoff to ensure a plumb wall plane. For deflection application, proprietary heavy duty deflection screws are provided with each clip to ensure friction-free sliding.

- Eliminates shims and scabs.
- Provides vertical movement up to 1" when installed as a deflection application
- Fast, one-piece universal installation. No left- or right-handed clips.
- Higher capacities when used in applications where significantly higher capacities are required.
- Proprietary heavy duty deflection screws provide frictionless slip connections.

PRODUCT DIMENSIONS

Lengths: 6" or 8"

MATERIAL SPECIFICATIONS

Gauge: 12 gauge (97mils)

Design Thickness: 0.1017 inches

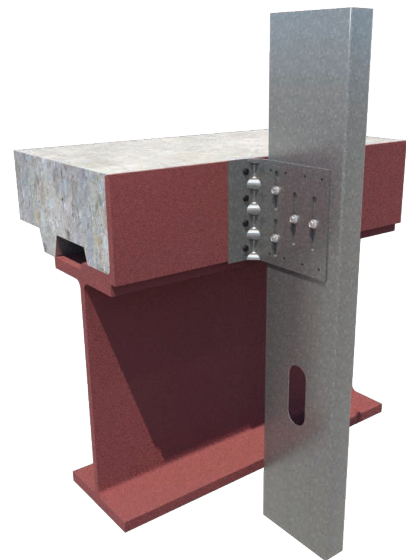
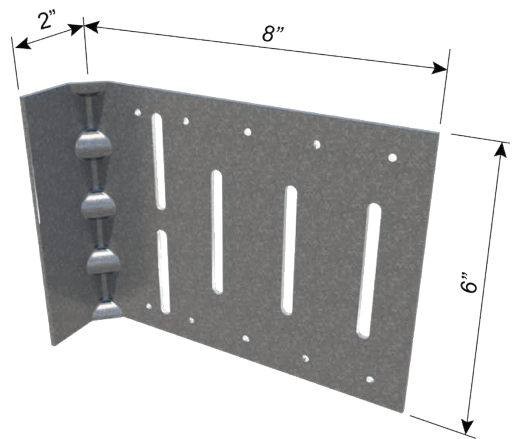
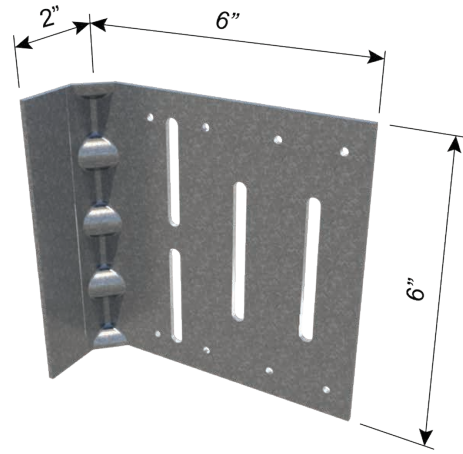
Gauge: 10 gauge (118mils)

Design Thickness: 0.1242 inches

Coating: G90 (Z275 hot-dipped galvanized coating)

Material: Structural Grade 50 Type H (ST50H), 50ksi

ASTM: A653/A653M, ASTM A1003



Fixed Universal Slip Clip (FUS6, FUS8)

Product code	Thickness		Clip length (in)	Packaging Pcs./Box
	Mils (Gauge)	Design thickness (in)		
FUS6-97	97mils (12ga)	0.1017	6	10
FUS8-97			8	10
FUS6-118	118mils (10ga)	0.1242	6	10
FUS8-118			8	10

U.S. Patent No. 11,905,700

INSTALLATION

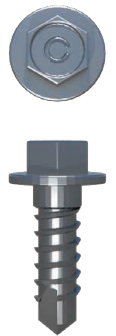
Connections to the building can be made with screws, welds powder-actuated fasteners. Mechanical fasteners shall be located on the embossed marks given on the scored line of the 2" flange. Attach building anchors to the structure according to the manufacturer's instructions. Anchors shall be installed through the embossments on the scored line of the clip as shown on the attached drawings. In no case shall anchors be installed more than 3/4" from the bend on the short leg of the clip. In cases of discrepancy between this information and the Design Engineer's details, the Design Engineer's details shall be followed.

For a Deflection Connection:

Attach the FUS clip to cold-formed steel framing members using proprietary #14 heavy duty deflection screws (included) through the slotted holes and position for the appropriate building deflection. For the FUS6 clip all slotted holes shall have a screw. For the FUS8 clip the (2) outer slotted holes and the (2) stacked slotted holes must have screws. For a deflection connection, screws should not be installed in any unslotted holes.

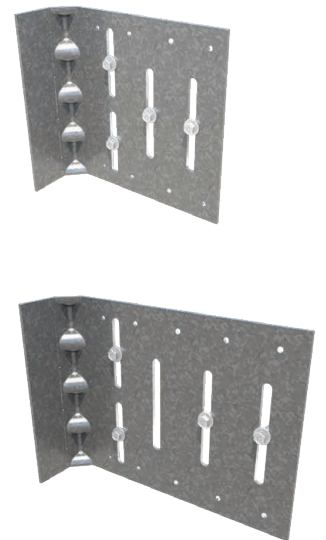
Proprietary HD Deflection Screws:

Many of the ClarkDietrich deflection clips include our proprietary heavy duty deflection fasteners that have been specifically designed to provide friction-free deflection. These fasteners eliminate drag, binding or resistance that can often occur with common fasteners. For the FUS clip, we supply a heavy duty version of the deflection screw. ClarkDietrich's Proprietary HD screws are utilized on the FUS clip only when used for a deflection condition.



Proprietary HD Deflection Screws

Fixed Universal Slip Clip Design Capacities					DEFLECTION CONNECTIONS		
Product code	Clip thickness Mils (Gauge)	Clip length (in)	No. of #14 screws to framing	Stud thickness Mils (Gauge)	Capacities (lbs)		
					In-Plane	Tension	Compression
					F1	F2	F3
FUS6-97	97mils (12ga)	6	4	33mils (20ga)	115	922	1030
				43mils (18ga)	194	1288	1429
				54mils (16ga)	280	1689	1866
				68mils (14ga)	443	1928	2339
				97mils (12ga)	780	2423	3318
FUS8-97	97mils (12ga)	8	4	33mils (20ga)	115	922	1030
				43mils (18ga)	206	1288	1347
				54mils (16ga)	306	1689	1693
				68mils (14ga)	457	1947	2283
FUS6-118	118mils (10ga)	6	4	33mils (20ga)	137	1134	998
				43mils (18ga)	211	1550	1607
				54mils (16ga)	291	2006	2275
				68mils (14ga)	450	2458	2812
				97mils (12ga)	779	3392	3923
FUS8-118	118mils (10ga)	8	4	33mils (20ga)	137	1134	998
				43mils (18ga)	240	1550	1581
				54mils (16ga)	354	2006	2221
				68mils (14ga)	536	2458	2797
				97mils (12ga)	913	3392	3987



Notes:

- 1 Tabulated loads are based on testing with 600S162 CFS framing members.
- 2 Tabulated loads are based on single test conducted with two clips per test
- 3 Tabulated loads are based on maximum stud standoff distance of 1" from base structure.
- 4 FUS clip was tested in compliance with ICC-ES AC-261 (2019).
- 5 #14 shouldered screws (proprietary) were used to attach clips to framing members.
- 6 The ultimate screw shear strength and screw tension strength for #14 screws shall be at least 3048-lbs, and 3201-lbs respectively.
- 7 The screw strength capacities are based of CFSEI Tech Note (F701-12).
- 8 Allowable loads have not been increased for seismic or wind.