

Double Shear Face-Mount Hangers

CDLDS Series

Double shear nailing distributes loads at two points across the joist nails, reducing the number of nails and enabling quicker installation. CDLDS utilizes a placement tooth to ease installation. Use the enhanced nailing schedule for greater load carrying capacities.

MATERIAL SPECIFICATIONS

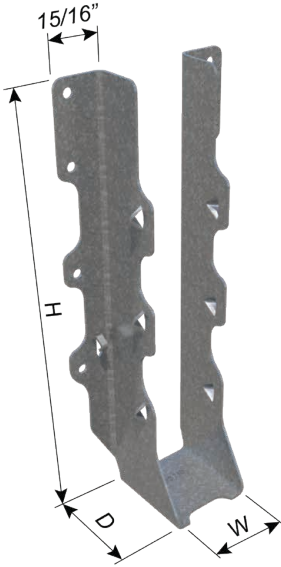
- Gauge:** 18ga (43mil)
- Design Thickness:** 0.0451 inches
- Coating:** G90 (Z275) hot-dipped galvanized coating
- Yield Strength:** Structural Grade 50 Type H (ST50H), 50ksi (340 MPa)

CODE REPORT

- ICC-ES ESR-5062

INSTALLATION

- Use all specified fasteners.
- Joist nails must be driven at an angle in the joist or truss to achieve the published loads.
- Not designed for welded applications



CDLDS210



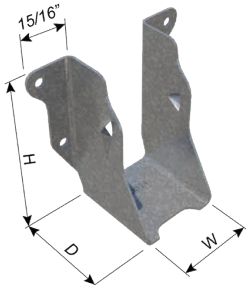
CDLDS210 Installation



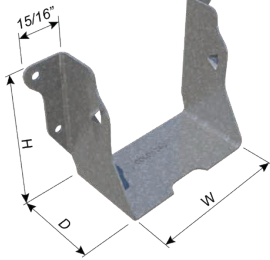
CDLDS210-2 Installation



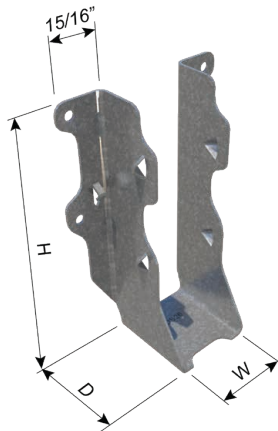
CDLDS210-3 Installation



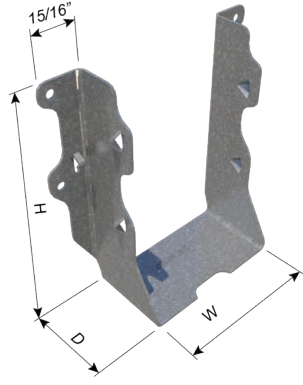
CDLDS24



CDLDS24-2



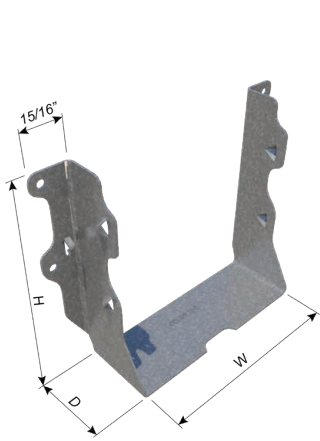
CDLDS26



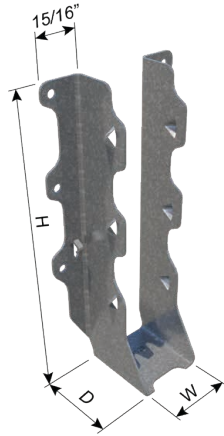
CDLDS26-2

Double Shear Face-Mount Hangers

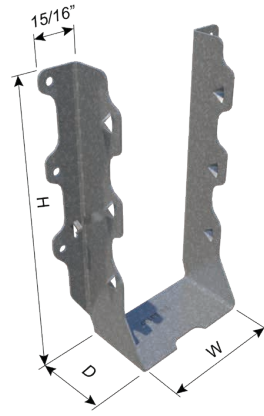
CDLDS Series



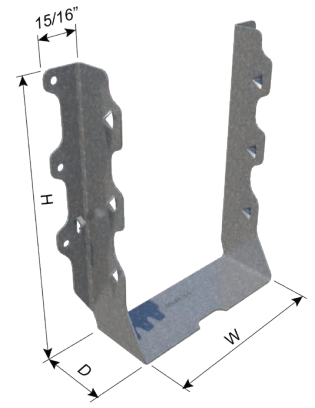
CDLDS26-3



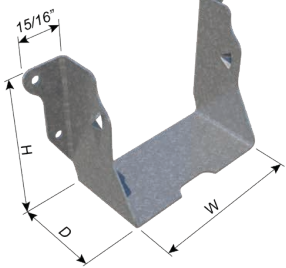
CDLDS28



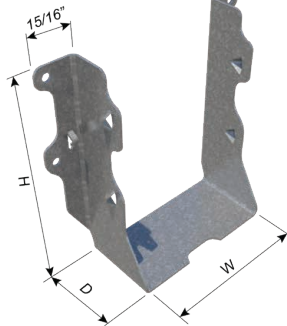
CDLDS28-2



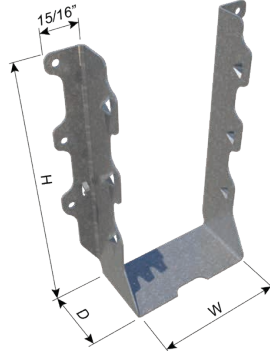
CDLDS28-3



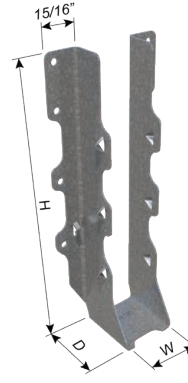
CDLDS44



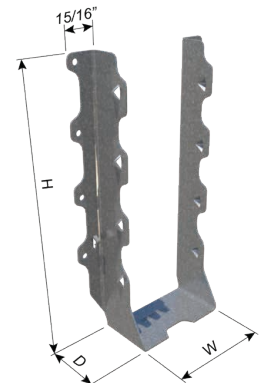
CDLDS46



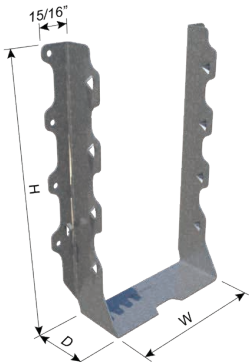
CDLDS48



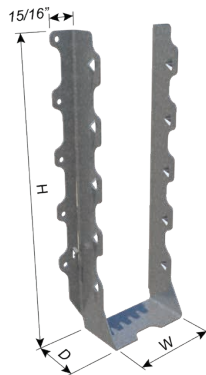
CDLDS210



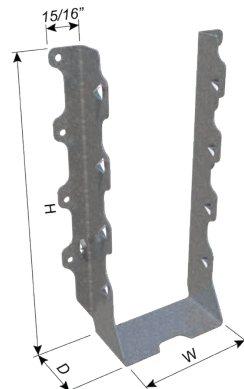
CDLDS210-2



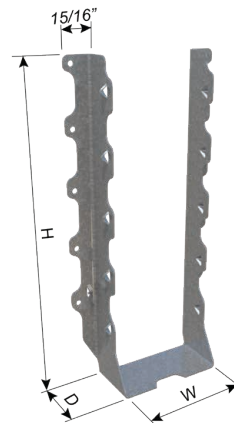
CDLDS210-3



CDLDS212-2



CDLDS410



CDLDS412

Double Shear Face-Mount Hangers (CDLDS)													
Spruce-Pine-Fir (0.42 Specific Gravity)													
Product code	Fastening	Total Supported Breadth (in)	Gauge	Hanger Dimension (in)			Type	Nails		Allowable Load (lbs)			
				Clear Seat Width, W	Overall Height, H	Overall Depth, D		Quantity		Download			Uplift
								Joist	Header	C _D = 1.00	C _D = 1.15	C _D = 1.25	
CDLDS24	Standard	1.5	18	1-9/16	3-3/32	1-15/16	10d Comm	2	4	600	690	755	455
CDLDS26	Standard	1.5	18	1-9/16	5-1/32	1-15/16	10d Comm	4	4	800	920	1000	885
CDLDS28	Standard	1.5	18	1-9/16	6-31/32	1-15/16	10d Comm	4	6	1005	1155	1255	800
	Enhanced							6	6	1205	1385	1505	1180
CDLDS210	Standard	1.5	18	1-9/16	8-5/32	1-15/16	10d Comm	4	8	1205	1385	1450	775
	Enhanced							6	8	1405	1615	1755	1055
CDLDS24-2	Standard	3	18	3-1/4	3-3/32	1-15/16	10d Comm	2	4	600	690	755	455
							16d Comm	2	4	720	825	855	455
CDLDS26-2	Standard	3	18	3-1/4	5-1/32	1-15/16	10d Comm	4	4	800	920	1000	885
							16d Comm	4	4	960	1100	1195	885
CDLDS28-2	Standard	3	18	3-1/4	6-31/32	1-15/16	10d Comm	4	6	1005	1155	1255	800
							16d Comm	4	6	1195	1375	1495	1105
	Enhanced	3	18	3-1/4	6-15/16	1-15/16	10d Comm	6	6	1205	1385	1505	1180
							16d Comm	6	6	1435	1650	1740	1180
CDLDS210-2	Standard	3	18	3-1/4	8-7/8	1-15/16	16d Comm	6	8	1675	1840	1840	1325
	Enhanced							8	8	1915	2200	2355	2240
CDLDS212-2	Standard	3	18	3-1/4	10-13/16	1-15/16	16d Comm	6	10	1915	2205	2395	1240
								10	10	2395	2755	2990	2445
CDLDS44	Standard	3.5	18	3-9/16	3-3/32	1-15/16	10d Comm	2	4	600	690	755	455
							16d Comm	2	4	720	825	855	455
CDLDS46	Standard	3.5	18	3-9/16	5-1/32	1-15/16	10d Comm	4	4	800	920	1000	885
							16d Comm	4	4	960	1100	1195	885
CDLDS48	Standard	3.5	18	3-9/16	6-15/16	1-15/16	10d Comm	4	6	1005	1155	1255	800
							16d Comm	4	6	1195	1375	1495	1105
	Enhanced	3.5	18	3-9/16	6-31/32	1-15/16	10d Comm	6	6	1205	1385	1505	1180
							16d Comm	6	6	1435	1650	1740	1180
CDLDS410	Standard	3.5	18	3-9/16	8-7/8	1-15/16	16d Comm	6	8	1675	1840	1840	1325
	Enhanced							8	8	1915	2200	2355	2240
CDLDS412	Standard	3.5	18	3-9/16	10-13/16	1-15/16	16d Comm	6	10	1915	2205	2395	1240
	Enhanced							10	10	2395	2755	2990	2445
CDLDS26-3	Standard	4.5	18	4-7/8	5-1/32	1-15/16	10d Comm	4	4	800	920	1000	885
							16d Comm	4	4	960	1100	1195	885
CDLDS28-3	Standard	4.5	18	4-7/8	6-31/32	1-15/16	10d Comm	4	6	1005	1155	1255	800
							16d Comm	4	6	1195	1375	1495	1105
	Enhanced	4.5	18	4-7/8	6-15/16	1-15/16	10d Comm	6	6	1205	1385	1505	1180
							16d Comm	6	6	1435	1650	1740	1180
CDLDS210-3	Standard	4.5	18	4-7/8	8-7/8	1-15/16	16d Comm	6	8	1675	1840	1840	1325
	Enhanced							8	8	1915	2200	2355	2240

Notes:

For SI: 1 inch = 25.4 mm, 1 pound (lb) = 4.45 N

- 1 See images for hanger dimension definitions of W, H, and D.
- 2 Refer to Section 3.2.3 of ESR-5062 for nail sizes and the required minimum physical properties.
- 3 The tabulated allowable loads have been adjusted for the load duration factors, C_D, as shown, in accordance with the NDS. The tabulated allowable loads do not apply to loads of other load durations, and are not allowed to be adjusted for other load durations. See Sections 4.1 and 4.2 of ESR-5062 for additional design and installation requirements.
- 4 The tabulated allowable loads are for installations on wood members complying with Section 3.2.1 of the ESR-5062 report. Wood members must also have a reference compressive perpendicular to grain design value, F_c-perp, respectively for the wood species noted in the table.
- 5 The tabulated allowable uplift loads have been increased for wind and seismic loading with no further increase is allowed. The tabulated allowable uplift loads must be reduced when other load duration govern.
- 6 CDLDS hangers have a torsional moment capacity rating of 75 pounds (334 N) times the depth of the joist at which the lateral movement of either the top or bottom of the joist with respect to the original vertical position of the joist is 0.125 inch (3.2mm).

Double Shear Face-Mount Hangers

CDLDS Series

Double Shear Face-Mount Hangers (CDLDS)

Douglas Fir-Larch (0.50 Specific Gravity)

Product code	Fastening	Total Supported Breadth (in)	Gauge	Hanger Dimensions (in)			Type	Nails		Allowable Load (lbs)			
				Clear Seat Width, W	Overall Height, H	Overall Depth, D		Quantity		Download			Uplift
								Joist	Header	$C_D = 1.00$	$C_D = 1.15$	$C_D = 1.25$	
CDLDS24	Standard	1.5	18	1-9/16	3-3/32	1-15/16	10d Comm	2	4	705	810	880	540
CDLDS26	Standard	1.5	18	1-9/16	5-1/32	1-15/16	10d Comm	4	4	940	1080	1175	1055
CDLDS28	Standard	1.5	18	1-9/16	6-31/32	1-15/16	10d Comm	4	6	1175	1350	1465	950
	Enhanced							6	6	1410	1620	1760	1405
CDLDS210	Standard	1.5	18	1-9/16	8-5/32	1-15/16	10d Comm	4	8	1410	1620	1730	925
	Enhanced							6	8	1645	1890	2055	1260
CDLDS24-2	Standard	3	18	3-1/4	3-3/32	1-15/16	10d Comm	2	4	705	810	880	540
							16d Comm	2	4	840	965	1020	540
CDLDS26-2	Standard	3	18	3-1/4	5-1/32	1-15/16	10d Comm	4	4	940	1080	1175	1055
							16d Comm	4	4	1120	1290	1400	1055
CDLDS28-2	Standard	3	18	3-1/4	6-31/32	1-15/16	10d Comm	4	6	1175	1350	1465	950
							16d Comm	4	6	1405	1610	1750	1315
	Enhanced	3	18	3-1/4	6-15/16	1-15/16	10d Comm	6	6	1410	1620	1760	1405
							16d Comm	6	6	1685	1935	2075	1405
CDLDS210-2	Standard	3	18	3-1/4	8-7/8	1-15/16	16d Comm	6	8	1960	2190	2190	1575
	Enhanced							8	8	2245	2580	2805	2665
CDLDS212-2	Standard	3	18	3-1/4	10-13/16	1-15/16	16d Comm	6	10	2240	2575	2800	1475
	Enhanced							10	10	2805	3225	3505	2910
CDLDS44	Standard	3.5	18	3-9/16	3-3/32	1-15/16	10d Comm	2	4	705	810	880	540
							16d Comm	2	4	840	965	1020	540
CDLDS46	Standard	3.5	18	3-9/16	5-1/32	1-15/16	10d Comm	4	4	940	1080	1175	1055
							16d Comm	4	4	1120	1290	1400	1055
CDLDS48	Standard	3.5	18	3-9/16	6-15/16	1-15/16	10d Comm	4	6	1175	1350	1465	950
							16d Comm	4	6	1400	1610	1750	1315
	Enhanced	3.5	18	3-9/16	6-31/32	1-15/16	10d Comm	6	6	1410	1620	1760	1405
							16d Comm	6	6	1685	1935	2075	1405
CDLDS410	Standard	3.5	18	3-9/16	8-7/8	1-15/16	16d Comm	6	8	1960	2190	2190	1575
	Enhanced							8	8	2245	2580	2805	2665
CDLDS412	Standard	3.5	18	3-9/16	10-13/16	1-15/16	16d Comm	6	10	2240	2575	2800	1475
	Enhanced							10	10	2805	3225	3505	2910
CDLDS26-3	Standard	4.5	18	4-7/8	5-1/32	1-15/16	10d Comm	4	4	940	1080	1175	1055
							16d Comm	4	4	1120	1290	1400	1055
CDLDS28-3	Standard	4.5	18	4-7/8	6-31/32	1-15/16	10d Comm	4	6	1175	1350	1465	950
							16d Comm	4	6	1400	1610	1750	1315
	Enhanced	4.5	18	4-7/8	6-15/16	1-15/16	10d Comm	6	6	1410	1620	1760	1405
							16d Comm	6	6	1685	1935	2075	1405
CDLDS210-3	Standard	4.5	18	4-7/8	8-7/8	1-15/16	16d Comm	6	8	1960	2190	2190	1575
	Enhanced							8	8	2245	2580	2805	2665

Notes:

For SI: 1 inch = 25.4 mm, 1 pound (lb) = 4.45 N

1 See images for hanger dimension definitions of W, H, and D.

2 Refer to Section 3.2.3 of ESR-5062 for nail sizes and the required minimum physical properties.

3 The tabulated allowable loads have been adjusted for the load duration factors, C_D , as shown, in accordance with the NDS. The tabulated allowable loads do not apply to loads of other load durations, and are not allowed to be adjusted for other load durations. See Sections 4.1 and 4.2 of ESR-5062 for additional design and installation requirements.4 The tabulated allowable loads are for installations on wood members complying with Section 3.2.1 of the ESR-5062 report. Wood members must also have a reference compressive perpendicular to grain design value, F_c -perp, respectively for the wood species noted in the table.

5 The tabulated allowable uplift loads have been increased for wind and seismic loading with no further increase is allowed. The tabulated allowable uplift loads must be reduced when other load duration govern.

6 CDLDS hangers have a torsional moment capacity rating of 75 pounds (334 N) times the depth of the joist at which the lateral movement of either the top or bottom of the joist with respect to the original vertical position of the joist is 0.125 inch (3.2mm).

Double Shear Face-Mount Hangers (CDLDS)													
Southern Pine (0.55 Specific Gravity)													
Product code	Fastening	Total Supported Breadth (in)	Gauge	Hanger Dimensions (in)			Type	Nails		Allowable Load (lbs)			
				Clear Seat Width, W	Overall Height, H	Overall Depth, D		Quantity	Uplift	Download			
										Joist	Header	C _D = 1.00	C _D = 1.15
CDLDS24	Standard	1.5	18	1-9/16	3-3/32	1-15/16	10d Comm	2	4	765	880	955	595
CDLDS26	Standard	1.5	18	1-9/16	5-1/32	1-15/16	10d Comm	4	4	1020	1175	1280	1160
CDLDS28	Standard	1.5	18	1-9/16	6-31/32	1-15/16	10d Comm	4	6	1275	1470	1595	1045
	Enhanced							6	6	1535	1765	1915	1545
CDLDS210	Standard	1.5	18	1-9/16	8-5/32	1-15/16	10d Comm	4	8	1530	1760	1900	1015
	Enhanced							6	8	1785	2055	2235	1385
CDLDS24-2	Standard	3	18	3-1/4	3-3/32	1-15/16	10d Comm	2	4	765	880	955	595
							16d Comm	2	4	915	1050	1125	595
CDLDS26-2	Standard	3	18	3-1/4	5-1/32	1-15/16	10d Comm	4	4	1020	1175	1280	1160
							16d Comm	4	4	1220	1405	1525	1160
CDLDS28-2	Standard	3	18	3-1/4	6-31/32	1-15/16	10d Comm	4	6	1275	1470	1595	1045
							16d Comm	4	6	1525	1755	1905	1640
	Enhanced	3	18	3-1/4	6-15/16	1-15/16	10d Comm	6	6	1535	1765	1915	1545
							16d Comm	6	6	1830	2105	2280	1545
CDLDS210-2	Standard	3	18	3-1/4	8-7/8	1-15/16	16d Comm	6	8	2135	2410	2410	1730
	Enhanced							8	8	2445	2810	3055	2935
CDLDS212-2	Standard	3	18	3-1/4	10-13/16	1-15/16	16d Comm	6	10	2440	2805	3045	1625
	Enhanced							10	10	3055	3510	3815	3200
CDLDS44	Standard	3.5	18	3-9/16	3-3/32	1-15/16	10d Comm	2	4	765	880	955	595
							16d Comm	2	4	915	1050	1125	595
CDLDS46	Standard	3.5	18	3-9/16	5-1/32	1-15/16	10d Comm	4	4	1020	1175	1280	1160
							16d Comm	4	4	1220	1405	1525	1160
CDLDS48	Standard	3.5	18	3-9/16	6-15/16	1-15/16	10d Comm	4	6	1275	1470	1595	1045
							16d Comm	4	6	1525	1755	1905	1045
CDLDS48	Enhanced	3.5	18	3-9/16	6-31/32	1-15/16	10d Comm	6	6	1535	1765	1915	1545
							16d Comm	6	6	1830	2105	2280	1545
CDLDS410	Standard	3.5	18	3-9/16	8-7/8	1-15/16	16d Comm	6	8	2135	2410	2410	1730
	Enhanced							8	8	2445	2810	3055	2935
CDLDS412	Standard	3.5	18	3-9/16	10-13/16	1-15/16	16d Comm	6	10	2440	2805	3045	1625
	Enhanced							10	10	3055	3510	3815	3200
CDLDS26-3	Standard	4.5	18	4-7/8	5-1/32	1-15/16	10d Comm	4	4	1020	1175	1280	1160
							16d Comm	4	4	1220	1405	1525	1160
CDLDS28-3	Standard	4.5	18	4-7/8	6-31/32	1-15/16	10d Comm	4	6	1275	1470	1595	1045
							16d Comm	4	6	1525	1755	1905	1045
	Enhanced	4.5	18	4-7/8	6-15/16	1-15/16	10d Comm	6	6	1535	1765	1915	1545
							16d Comm	6	6	1830	2105	2280	1545
CDLDS210-3	Standard	4.5	18	4-7/8	8-7/8	1-15/16	16d Comm	6	8	2135	2410	2410	1730
	Enhanced							8	8	2445	2810	3055	2935

Notes:

For SI: 1 inch = 25.4 mm, 1 pound (lb) = 4.45 N

1 See images for hanger dimension definitions of W, H, and D.

2 Refer to Section 3.2.3 of ESR-5062 for nail sizes and the required minimum physical properties.

3 The tabulated allowable loads have been adjusted for the load duration factors, C_D, as shown, in accordance with the NDS. The tabulated allowable loads do not apply to loads of other load durations, and are not allowed to be adjusted for other load durations. See Sections 4.1 and 4.2 of ESR-5062 for additional design and installation requirements.

4 The tabulated allowable loads are for installations on wood members complying with Section 3.2.1 of the ESR-5062 report. Wood members must also have a reference compressive perpendicular to grain design value, F_{c-perp}, respectively for the wood species noted in the table.

5 The tabulated allowable uplift loads have been increased for wind and seismic loading with no further increase is allowed. The tabulated allowable uplift loads must be reduced when other load duration govern.

6 CDLDS hangers have a torsional moment capacity rating of 75 pounds (334 N) times the depth of the joist at which the lateral movement of either the top or bottom of the joist with respect to the original vertical position of the joist is 0.125 inch (3.2mm).