

## Double Shear Face-Mount Hangers

CDMDS Series

Double shear nailing distributes loads at two points across the joist nails, reducing the number of nails and enabling quicker installation. Use the enhanced nailing schedule for greater load carrying capacities.

### MATERIAL SPECIFICATIONS

**Gauge:** 18ga (43mil)

**Gauge:** 16ga (54mil)

**Design Thickness:** 0.0451 inches

**Design Thickness:** 0.0566 inches

**Coating:** G90 (Z275) hot-dipped galvanized coating

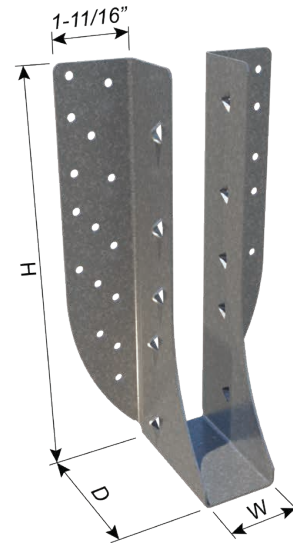
**Yield Strength:** Structural Grade 50 Type H (ST50H), 50ksi (340 MPa)

### CODE REPORT

- ICC-ES ESR-5062

### INSTALLATION

- Use all specified fasteners.
- Joist nails must be driven at an angle in the joist or truss to achieve the published loads.
- Not designed for welded applications



CDMDS Installation



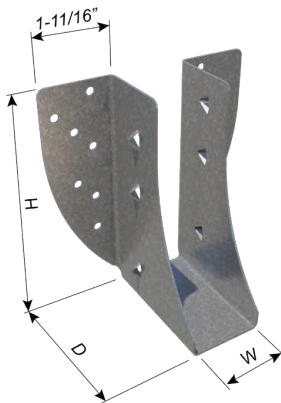
CDMDS-2 Installation



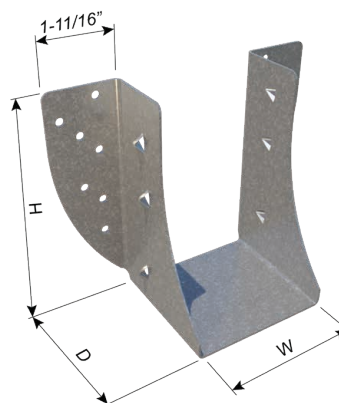
CDMDS-3 Installation



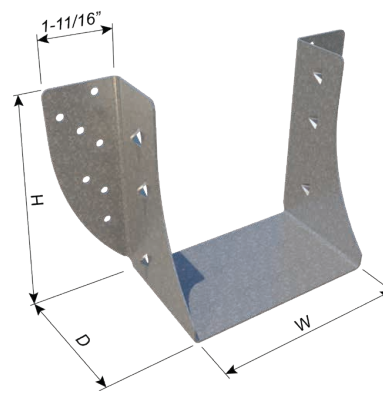
CDMDS-4 Installation



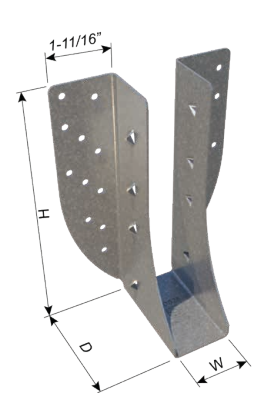
CDMDS26



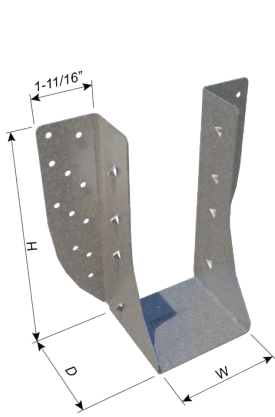
CDMDS26-2



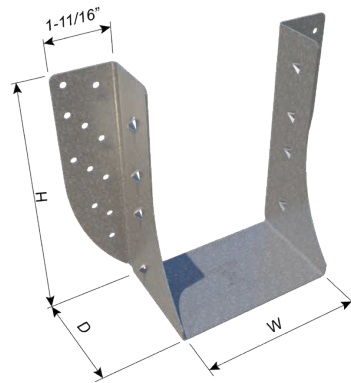
CDMDS26-3



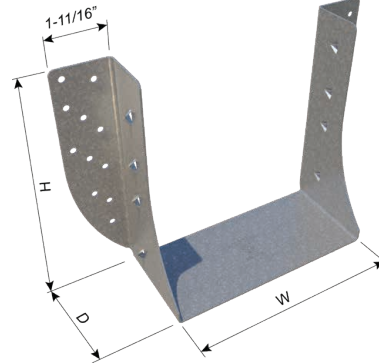
CDMDS28



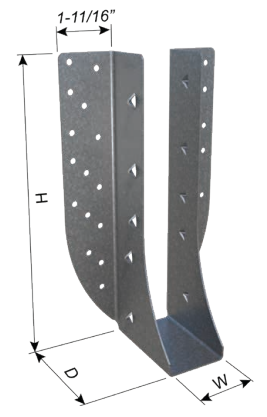
CDMDS28-2



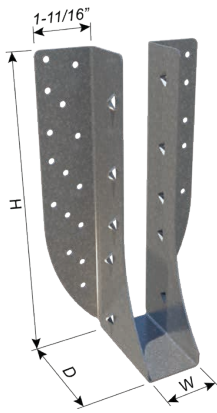
CDMDS28-3



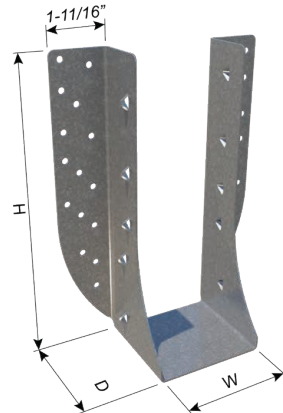
CDMDS28-4



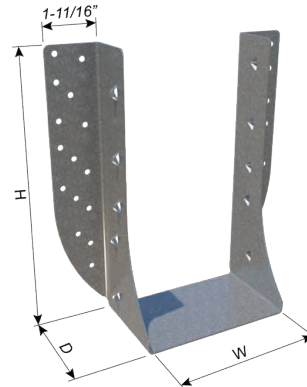
CDMDS1.81/10



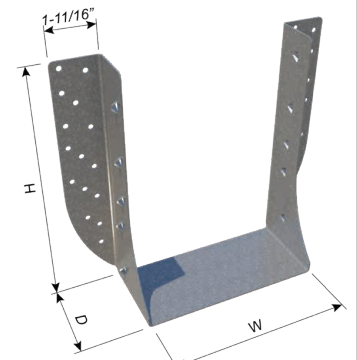
CDMDS210



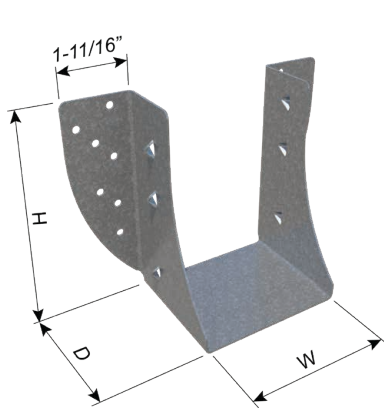
CDMDS210-2



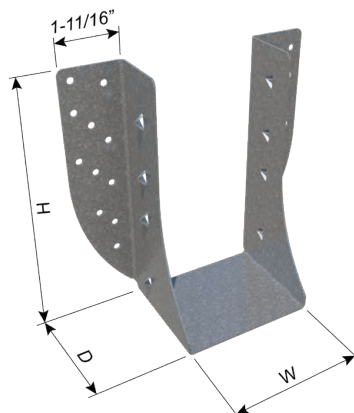
CDMDS210-3



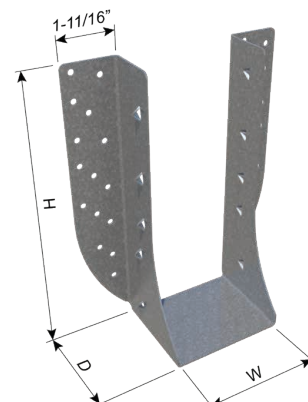
CDMDS210-4



CDMDS46



CDMDS48



CDMDS410

## Double Shear Face-Mount Hangers

## CDMDS Series

## Double Shear Face-Mount Hangers (CDMDS)

## Spruce Pine-Fir (0.42 Specific Gravity)

Product code	Fastening	Total Supported Breadth (in)	Gauge	Hanger Dimensions (in)			Nails		Allowable Load (lbs)				
				Clear Seat Width, W	Overall Height, H	Overall Depth, D	Type	Quantity		Download			Uplift
								Joist	Header	C <sub>D</sub> = 1.00	C <sub>D</sub> = 1.15	C <sub>D</sub> = 1.25	
CDMDS26	Standard	1.5	18	1-5/8	5-11/64	3-5/32	16d Comm	6	14	2395	2560	2560	1310
CDMDS28	Standard	1.5	18	1-5/8	6-15/16	3-5/32	16d Comm	8	22	3505	3745	3905	2085
CDMDS210	Standard	1.5	18	1-5/8	8-13/16	3-5/32	16d Comm	10	30	3905	4205	4405	2970
CDMDS1.81/10	Standard	1.75	18	1-13/16	8-13/16	3-5/32	16d Comm	10	30	4225	4525	4665	2970
CDMDS26-2	Standard	3	16	3-1/4	5-3/16	3-3/16	16d Comm	6	14	2425	2790	3035	1295
CDMDS28-2	Standard	3	16	3-1/4	6-7/8	3-3/16	16d Comm	8	22	3645	4190	4555	2085
CDMDS210-2	Standard	3	16	3-1/4	8-13/16	3-3/16	16d Comm	10	30	4860	5590	6075	3105
CDMDS46	Standard	3.5	16	3-5/8	5-3/16	3-3/16	16d Comm	6	14	2425	2790	3035	1295
CDMDS48	Standard	3.5	16	3-5/8	6-7/8	3-3/16	16d Comm	8	22	3645	4190	4555	2085
CDMDS410	Standard	3.5	16	3-5/8	8-13/16	3-3/16	16d Comm	10	30	4860	5590	6075	3105
CDMDS26-3	Standard	4.5	16	4-7/8	5-3/16	3-3/16	16d Comm	6	14	2425	2790	3035	1295
CDMDS28-3	Standard	4.5	16	4-7/8	6-7/8	3-3/16	16d Comm	8	22	3645	4190	4555	2085
CDMDS210-3	Standard	4.5	16	4-7/8	8-13/16	3-3/16	16d Comm	10	30	4860	5590	6075	3105
CDMDS28-4	Standard	6	16	6-9/16	6-7/8	3-3/16	16d Comm	8	22	3645	4190	4555	2085
CDMDS210-4	Standard	6	16	6-9/16	8-13/16	3-3/16	16d Comm	10	30	4860	5590	6075	3105

## Douglas Fir-Larch (0.50 Specific Gravity)

Product code	Fastening	Total Supported Breadth (in)	Gauge	Hanger Dimensions (in)			Nails		Allowable Load (lbs)				
				Clear Seat Width, W	Overall Height, H	Overall Depth, D	Type	Quantity		Download			Uplift
								Joist	Header	C <sub>D</sub> = 1.00	C <sub>D</sub> = 1.15	C <sub>D</sub> = 1.25	
CDMDS26	Standard	1.5	18	1-5/8	5-11/64	3-5/32	16d Comm	6	14	2800	3045	3045	1560
CDMDS28	Standard	1.5	18	1-5/8	6-15/16	3-5/32	16d Comm	8	22	4200	4710	4710	2480
CDMDS210	Standard	1.5	18	1-5/8	8-13/16	3-5/32	16d Comm	10	30	5160	5515	5555	3540
CDMDS1.81/10	Standard	1.75	18	1-13/16	8-13/16	3-5/32	16d Comm	10	30	5555	5555	5555	3540
CDMDS26-2	Standard	3	16	3-1/4	5-3/16	3-3/16	16d Comm	6	14	2835	3260	3545	1545
CDMDS28-2	Standard	3	16	3-1/4	6-7/8	3-3/16	16d Comm	8	22	4255	4890	5315	2480
CDMDS210-2	Standard	3	16	3-1/4	8-13/16	3-3/16	16d Comm	10	30	5670	6520	7090	3695
CDMDS46	Standard	3.5	16	3-5/8	5-3/16	3-3/16	16d Comm	6	14	2835	3260	3545	1545
CDMDS48	Standard	3.5	16	3-5/8	6-7/8	3-3/16	16d Comm	8	22	4255	4890	5315	2480
CDMDS410	Standard	3.5	16	3-5/8	8-13/16	3-3/16	16d Comm	10	30	5670	6520	7090	3695
CDMDS26-3	Standard	4.5	16	4-7/8	5-3/16	3-3/16	16d Comm	6	14	2835	3260	3545	1545
CDMDS28-3	Standard	4.5	16	4-7/8	6-7/8	3-3/16	16d Comm	8	22	4255	4890	5315	2480
CDMDS210-3	Standard	4.5	16	4-7/8	8-13/16	3-3/16	16d Comm	10	30	5670	6520	7090	3695
CDMDS28-4	Standard	6	16	6-9/16	6-7/8	3-3/16	16d Comm	8	22	4255	4890	5315	2480
CDMDS210-4	Standard	6	16	6-9/16	8-13/16	3-3/16	16d Comm	10	30	5670	6520	7090	3695

## Notes:

For SI: 1 inch = 25.4 mm, 1 pound (lb) = 4.45 N

- See images for hanger dimension definitions of W, H, and D.
- Refer to Section 3.2.3 of ESR-5062 for nail sizes and the required minimum physical properties.
- The tabulated allowable loads have been adjusted for the load duration factors, C<sub>D</sub>, as shown, in accordance with the NDS. The tabulated allowable loads do not apply to loads of other load durations, and are not allowed to be adjusted for other load durations. See Sections 4.1 and 4.2 of ESR-5062 for additional design and installation requirements.
- The tabulated allowable loads are for installations on wood members complying with Section 3.2.1 of the ESR-5062 report. Wood members must also have a reference compressive perpendicular to grain design value, F<sub>c</sub>-perp, respectively for the wood species noted in the table.
- The tabulated allowable uplift loads have been increased for wind and seismic loading with no further increase is allowed. The tabulated allowable uplift loads must be reduced when other load duration govern.
- CDMDS hangers have a torsional moment capacity rating of 75 pounds (334 N) times the depth of the joist at which the lateral movement of either the top or bottom of the joist with respect to the original vertical position of the joist is 0.125 inch (3.2mm).

## Double Shear Face-Mount Hangers (CDMDS)

Southern Pine (0.55 Specific Gravity)													
Product code	Fastening	Total Supported Breadth (in)	Gauge	Hanger Dimensions (in)			Nails			Allowable Load (lbs)			
				Clear Seat Width, W	Overall Height, H	Overall Depth, D	Type	Quantity		Download			Uplift
								Joist	Header	C <sub>D</sub> = 1.00	C <sub>D</sub> = 1.15	C <sub>D</sub> = 1.25	
CDMDS26	Standard	1.5	18	1-5/8	5-11/64	3-5/32	16d Comm	6	14	3045	3350	3350	1715
CDMDS28	Standard	1.5	18	1-5/8	6-15/16	3-5/32	16d Comm	8	22	4210	4520	4725	2730
CDMDS210	Standard	1.5	18	1-5/8	8-13/16	3-5/32	16d Comm	10	30	4725	5110	5365	3890
CDMDS1.81/10	Standard	1.75	18	1-13/16	8-13/16	3-5/32	16d Comm	10	30	5085	5470	5725	3890
CDMDS26-2	Standard	3	16	3-1/4	5-3/16	3-3/16	16d Comm	6	14	3080	3540	3850	1700
CDMDS28-2	Standard	3	16	3-1/4	6-7/8	3-3/16	16d Comm	8	22	4620	5310	5775	2730
CDMDS210-2	Standard	3	16	3-1/4	8-13/16	3-3/16	16d Comm	10	30	6160	7080	7525	4065
CDMDS46	Standard	3.5	16	3-5/8	5-3/16	3-3/16	16d Comm	6	14	3080	3540	3850	1700
CDMDS48	Standard	3.5	16	3-5/8	6-7/8	3-3/16	16d Comm	8	22	4620	5310	5775	2730
CDMDS410	Standard	3.5	16	3-5/8	8-13/16	3-3/16	16d Comm	10	30	6160	7080	7700	4065
CDMDS26-3	Standard	4.5	16	4-7/8	5-3/16	3-3/16	16d Comm	6	14	3080	3540	3850	1700
CDMDS28-3	Standard	4.5	16	4-7/8	6-7/8	3-3/16	16d Comm	8	22	4620	5310	5775	2730
CDMDS210-3	Standard	4.5	16	4-7/8	8-13/16	3-3/16	16d Comm	10	30	6160	7080	7700	4065
CDMDS28-4	Standard	6	16	6-9/16	6-7/8	3-3/16	16d Comm	8	22	4620	5310	5775	2730
CDMDS210-4	Standard	6	16	6-9/16	8-13/16	3-3/16	16d Comm	10	30	6160	7080	7700	4065

### Notes:

For SI: 1 inch = 25.4 mm, 1 pound (lb) = 4.45 N

- See images for hanger dimension definitions of W, H, and D.
- Refer to Section 3.2.3 of ESR-5062 for nail sizes and the required minimum physical properties.
- The tabulated allowable loads have been adjusted for the load duration factors, C<sub>D</sub>, as shown, in accordance with the NDS. The tabulated allowable loads do not apply to loads of other load durations, and are not allowed to be adjusted for other load durations. See Sections 4.1 and 4.2 of ESR-5062 for additional design and installation requirements.
- The tabulated allowable loads are for installations on wood members complying with Section 3.2.1 of the ESR-5062 report. Wood members must also have a reference compressive perpendicular to grain design value, F<sub>c</sub>-perp, respectively for the wood species noted in the table.
- The tabulated allowable uplift loads have been increased for wind and seismic loading with no further increase is allowed. The tabulated allowable uplift loads must be reduced when other load duration govern.
- CDMDS hangers have a torsional moment capacity rating of 75 pounds (334 N) times the depth of the joist at which the lateral movement of either the top or bottom of the joist with respect to the original vertical position of the joist is 0.125 inch (3.2mm).