

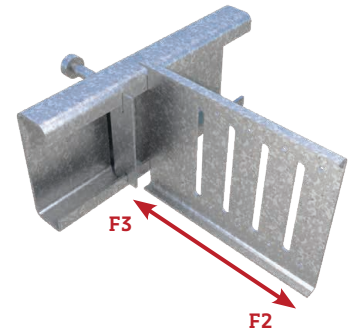
Drift Headed Rail and Clip - Cast In Place

ATTACHMENT TO STRUCTURE: **CAST IN PLACE**
 ATTACHMENT TO STUD: **AS A DEFLECTION CONNECTION**

Drift Headed Rail and Clip - 12ga Clip / 12ga Rail

ALLOWABLE DRIFT RAIL CLIP LOADS USING CLIP AS A DEFLECTION CONNECTION

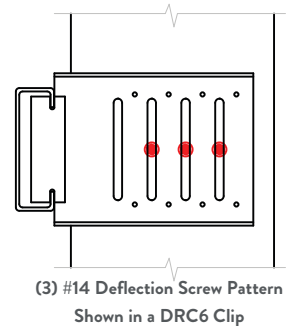
Clip designation	Stud Mils (Gauge)	Framing Connection		ASD Allowable Loads (lbs)	
		Screw Pattern	No. of Screws	F2 (Tension)	F3 (Compression)
DRC3-97	33mils (20ga)	See Figure	(2) x #14	560	600
	43mils (18ga)		(2) x #14	655	670
	54mils (16ga)		(2) x #14	1000	970
	68mils (14ga)		(2) x #14	1085	1325
	97mils (12ga)		(2) x #14	1085	2040
DRC6-97	33mils (20ga)	See Figure	(3) x #14	560	600
	43mils (18ga)		(3) x #14	655	670
	54mils (16ga)		(3) x #14	1000	970
	68mils (14ga)		(3) x #14	1085	1325
	97mils (12ga)		(3) x #14	1085	2040
DRC8-97	33mils (20ga)	See Figure	(3) x #14	560	620
	43mils (18ga)		(3) x #14	655	730
	54mils (16ga)		(3) x #14	1000	1060
	68mils (14ga)		(3) x #14	1085	1340
	97mils (12ga)		(3) x #14	1085	1965



Drift Headed Rail and Clip - 14ga Clip / 12ga Rail

ALLOWABLE DRIFT RAIL CLIP LOADS USING CLIP AS A DEFLECTION CONNECTION

Clip designation	Stud Mils (Gauge)	Framing Connection		ASD Allowable Loads (lbs)	
		Screw Pattern	No. of Screws	F2 (Tension)	F3 (Compression)
DRC3-68	33mils (20ga)	See Figure	(2) x #14	490	440
	43mils (18ga)		(2) x #14	540	520
	54mils (16ga)		(2) x #14	850	870
	68mils (14ga)		(2) x #14	850	1170
	97mils (12ga)		(2) x #14	850	1600
DRC6-68	33mils (20ga)	See Figure	(3) x #14	490	440
	43mils (18ga)		(3) x #14	540	520
	54mils (16ga)		(3) x #14	850	870
	68mils (14ga)		(3) x #14	850	1170
	97mils (12ga)		(3) x #14	850	1600
DRC8-68	33mils (20ga)	See Figure	(3) x #14	490	485
	43mils (18ga)		(3) x #14	540	620
	54mils (16ga)		(3) x #14	850	900
	68mils (14ga)		(3) x #14	850	1105
	97mils (12ga)		(3) x #14	850	1710



Notes:

- 1 Allowable loads (ASD) listed are for Drift Rail Clip to stud only (framing connection).
- 2 Maximum tension on DHR-97 anchor should not exceed 1,600 lbs ASD. In tension and shear, the strength of the DHR-97 anchor itself should be considered. The weld does not need to be considered in tension or shear as the load table and 1,600 lbs ASD tension maximum are inclusive of the strength of the welds. Designers must check Drift Headed Rail (DHR-97) tension and shear anchorage capacity in concrete per ACI 318 based on actual edge distance and concrete compressive strength.
- 3 Allowable loads have not been increased for wind, seismic, or other factors.
- 4 Minimum (2) x #14 shouldered screws (for DRC3) and (3) x #14 shouldered screws (for DRC6 and DRC8) must be used to secure the Drift Rail Clip for attachment to stud (#14 shouldered screws provided with each Drift Rail Clip).
- 5 It is the responsibility of the designer to properly detail connections on the contract drawings.

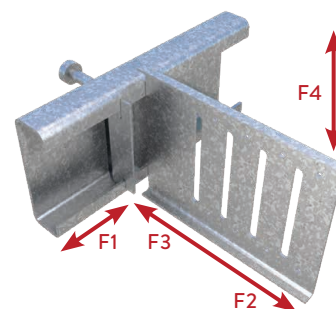
Drift Headed Rail and Clip - Cast In Place

ATTACHMENT TO STRUCTURE: **CAST IN PLACE**ATTACHMENT TO STUD: **FIXED CONNECTION W/(4)#10-16**

Drift Headed Rail and Clip - 12ga Clip / 12ga Rail

ALLOWABLE DRIFT RAIL CLIP LOADS
USING CLIP AS A FIXED CONNECTION

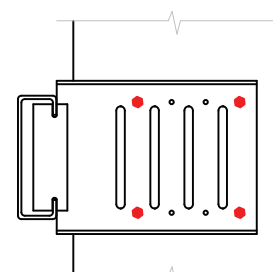
Clip designation	Stud gauge (mils)	Framing Connection		ASD Allowable Loads (lbs)			
		Screw Pattern	No. of Screws	F1 (In-Plane)	F2 (Tension)	F3 (Compression)	F4 (Shear)
DRC3-97	20ga (33mils)	See Figure	(4) x #10	155	560	600	280
	18ga (43mils)		(4) x #10	155	655	670	415
	16ga (54mils)		(4) x #10	155	1000	970	840
	14ga (68mils)		(4) x #10	155	1085	1325	865
	12ga (97mils)		(4) x #10	155	1085	2040	865
DRC6-97	20ga (33mils)	See Figure	(4) x #10	155	560	600	235
	18ga (43mils)		(4) x #10	155	655	670	345
	16ga (54mils)		(4) x #10	155	1000	970	705
	14ga (68mils)		(4) x #10	155	1085	1325	725
	12ga (97mils)		(4) x #10	155	1085	2040	725
DRC8-97	20ga (33mils)	See Figure	(4) x #10	140	560	620	240
	18ga (43mils)		(4) x #10	140	655	730	360
	16ga (54mils)		(4) x #10	140	1000	1060	725
	14ga (68mils)		(4) x #10	140	1085	1340	745
	12ga (97mils)		(4) x #10	140	1085	1965	745



Drift Headed Rail and Clip - 14ga Clip / 12ga Rail

ALLOWABLE DRIFT RAIL CLIP LOADS
USING CLIP AS A FIXED CONNECTION

Clip designation	Stud gauge (mils)	Framing Connection		ASD Allowable Loads (lbs)			
		Screw Pattern	No. of Screws	F1 (In-Plane)	F2 (Tension)	F3 (Compression)	F4 (Shear)
DRC3-68	20ga (33mils)	See Figure	(4) x #10	115	490	440	280
	18ga (43mils)		(4) x #10	115	540	520	415
	16ga (54mils)		(4) x #10	115	850	870	740
	14ga (68mils)		(4) x #10	115	850	1170	740
	12ga (97mils)		(4) x #10	115	850	1600	805
DRC6-68	20ga (33mils)	See Figure	(4) x #10	115	490	440	235
	18ga (43mils)		(4) x #10	115	540	520	345
	16ga (54mils)		(4) x #10	115	850	870	705
	14ga (68mils)		(4) x #10	115	850	1170	725
	12ga (97mils)		(4) x #10	115	850	1600	725
DRC8-68	20ga (33mils)	See Figure	(4) x #10	120	490	485	240
	18ga (43mils)		(4) x #10	120	540	620	360
	16ga (54mils)		(4) x #10	120	850	900	725
	14ga (68mils)		(4) x #10	120	850	1105	745
	12ga (97mils)		(4) x #10	120	850	1710	745

(4) #10 Screw Pattern
Shown in a DRC6 Clip**Notes:**

- 1 Allowable loads (ASD) listed are for Drift Rail Clip to stud only (framing connection).
- 2 Maximum tension on DHR-97 anchor should not exceed 1,600 lbs ASD. In tension and shear, the strength of the DHR-97 anchor itself should be considered. The weld does not need to be considered in tension or shear as the load table and 1,600 lbs ASD tension maximum are inclusive of the strength of the welds. Designers must check Drift Headed Rail (DHR-97) tension and shear anchorage capacity in concrete per ACI 318 based on actual edge distance and concrete compressive strength.
- 3 Allowable loads have not been increased for wind, seismic, or other factors.
- 4 Minimum (4) x #10-16 screws must be used to secure the Drift Rail Clip for attachment to stud.
- 5 It is the responsibility of the designer to properly detail connections on the contract drawings.
- 6 F1 (In-Plane) loads are based on using a Drift Locking Clip (DRLC) or Drift Locking Angle (DRLA) restricting Drift Clip lateral movement.

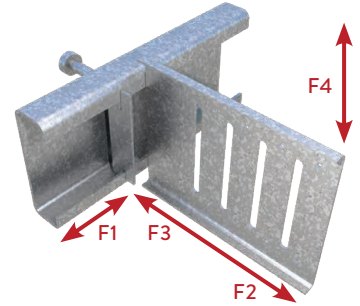
Drift Headed Rail and Clip - Cast In Place

ATTACHMENT TO STRUCTURE: **CAST IN PLACE**
 ATTACHMENT TO STUD: **FIXED CONNECTION W/(8)#10-16**

Drift Headed Rail and Clip - 12ga Clip / 12ga Rail

ALLOWABLE DRIFT RAIL CLIP LOADS USING CLIP AS A FIXED CONNECTION

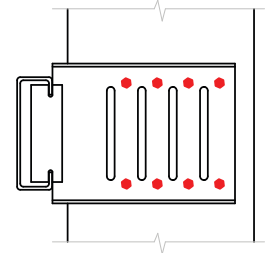
Clip designation	Stud gauge (mils)	Framing Connection		ASD Allowable Loads (lbs)			
		Screw Pattern	No. of Screws	F1 (In-Plane)	F2 (Tension)	F3 (Compression)	F4 (Shear)
DRC6-97	20ga (33mils)	See Figure	(8) x #10	155	560	600	395
	18ga (43mils)		(8) x #10	155	655	670	585
	16ga (54mils)		(8) x #10	155	1000	970	875
	14ga (68mils)		(8) x #10	155	1085	1325	920
	12ga (97mils)		(8) x #10	155	1085	2040	920
DRC8-97	20ga (33mils)	See Figure	(8) x #10	140	560	620	375
	18ga (43mils)		(8) x #10	140	655	730	555
	16ga (54mils)		(8) x #10	140	1000	1060	910
	14ga (68mils)		(8) x #10	140	1085	1340	910
	12ga (97mils)		(8) x #10	140	1085	1965	910



Drift Headed Rail and Clip - 14ga Clip / 12ga Rail

ALLOWABLE DRIFT RAIL CLIP LOADS USING CLIP AS A FIXED CONNECTION

Clip designation	Stud gauge (mils)	Framing Connection		ASD Allowable Loads (lbs)			
		Screw Pattern	No. of Screws	F1 (In-Plane)	F2 (Tension)	F3 (Compression)	F4 (Shear)
DRC6-68	20ga (33mils)	See Figure	(8) x #10	115	490	440	395
	18ga (43mils)		(8) x #10	115	540	520	585
	16ga (54mils)		(8) x #10	115	850	870	740
	14ga (68mils)		(8) x #10	115	850	1170	740
	12ga (97mils)		(8) x #10	115	850	1600	805
DRC8-68	20ga (33mils)	See Figure	(8) x #10	120	490	485	375
	18ga (43mils)		(8) x #10	120	540	620	555
	16ga (54mils)		(8) x #10	120	850	900	800
	14ga (68mils)		(8) x #10	120	850	1105	800
	12ga (97mils)		(8) x #10	120	850	1710	865



(8) #10 Screw Pattern Shown in a DRC6 Clip

Notes:

- 1 Allowable loads (ASD) listed are for Drift Rail Clip to stud only (framing connection).
- 2 Maximum tension on DHR-97 anchor should not exceed 1,600 lbs ASD. In tension and shear, the strength of the DHR-97 anchor itself should be considered. The weld does not need to be considered in tension or shear as the load table and 1,600 lbs ASD tension maximum are inclusive of the strength of the welds. Designers must check Drift Headed Rail (DHR-97) tension and shear anchorage capacity in concrete per ACI 318 based on actual edge distance and concrete compressive strength.
- 3 Allowable loads have not been increased for wind, seismic, or other factors.
- 4 Minimum (4) x #10-16 screws must be used to secure the Drift Rail Clip for attachment to stud.
- 5 It is the responsibility of the designer to properly detail connections on the contract drawings.
- 6 F1 (In-Plane) loads are based on using a Drift Locking Clip (DRLC) or Drift Locking Angle (DRLA) restricting Drift Clip lateral movement.