





CLIP EXPRESS<sup>SM</sup>

ENGINEERED FOR WOOD.  
DESIGNED FOR  
CONFIDENCE.

## **CLARKDIETRICH CLIP EXPRESS<sup>SM</sup> STANDS ALONE IN THE INDUSTRY.**

The vast lineup of products, quick delivery service and philosophy are unique in every respect—and especially in sum total. That’s because Clip Express was created to give our customers an unmatched level of confidence.

## **EVERYTHING YOU NEED FROM ONE CONVENIENT SOURCE.**

We know that having the right products, at the right time, and at the right price is absolutely essential to getting the job done. Clip Express is your at-the-ready resource for getting a wide selection of connectors designed specifically for wood framing—and getting them fast. Our lineup has you covered when it comes to the most-needed applications: angle clips, truss and rafter clips, plus straps and hangers are all included.

## **CONSISTENT, HIGH-QUALITY PRODUCTS.**

When you design or specify by ClarkDietrich product name or number, you get fully engineered and rigorously tested systems and connectors—the same precision-formed products each and every time. It’s exactly the kind of thing you’d expect from a partner like ClarkDietrich.

## **VALUE THAT CONTRIBUTES TO YOUR BOTTOM LINE.**

While you may find a cheaper price than ClarkDietrich, you won’t find a lower overall cost or better value. We offer unmatched service through numerous plants and engineering offices—and nationwide product availability. From technical assistance to complete engineering services, we’ve truly put together an incredible array of resources to help you be successful on any project.

## **CONNECTIONS YOU CAN COUNT ON.**

If getting what you want, when and how you want it is a must, ClarkDietrich Clip Express is ready to deliver. In fact, a wide array of shipping options is available, from standard ground to overnight. If we get your order today, you can get it tomorrow. Count on ClarkDietrich to deliver products, systems and services that keep your costs down and productivity up. Need help with product selection, ordering, scheduling, delivery, or anything else? Call the Clip Express sales team: Clip Express—866-638-1908. Need Product Submittals? Use SubmittalPro<sup>®</sup> at [clarkdietrich.com](http://clarkdietrich.com).

## **TABLE OF CONTENTS**

<b>Angles and Straps</b>	4-31
<b>Deck and Fence</b>	32-33
<b>Hangers</b>	34-53
<b>Truss and Rafters</b>	54-64
<b>Index</b>	65
<b>Warranty</b>	66
<b>Code Approvals</b>	67
<b>Locations</b>	67

**Angles and Straps**

<b>PAGE 5</b>	<b>GUSSET CLIPS (CDGC)</b>
<b>PAGE 6</b>	<b>L&amp;T STRAP TIES (CD6LS, CD6TS)</b>
<b>PAGE 7</b>	<b>MEDIUM CLIP ANGLE (CDCA)</b>
<b>PAGES 8-11</b>	<b>LIGHT AND MEDIUM FRAMING ANGLE (CDFA)</b>
<b>PAGES 12-13</b>	<b>FRAMING ANGLES (CDFA1, CDFA2)</b>
<b>PAGE 14</b>	<b>MENDING TIE PLATE (CDTP)</b>
<b>PAGE 15</b>	<b>NAIL STOP PLATES (CDNSP)</b>
<b>PAGES 16-17</b>	<b>NAIL PLATES (CDNP)</b>
<b>PAGES 18-19</b>	<b>CDTPA ANCHOR SERIES (CDTPA)</b>
<b>PAGE 20</b>	<b>STEEL PLYWOOD / SHEATHING CLIP (CDPC)</b>
<b>PAGE 21</b>	<b>TWIST STRAPS (CDLST SERIES)</b>
<b>PAGES 22-23</b>	<b>LIGHT STRAPS (CDLS SERIES)</b>
<b>PAGES 24-25</b>	<b>MEDIUM STRAPS (CDLMS SERIES)</b>
<b>PAGES 26-27</b>	<b>STRAPS (CDMS SERIES)</b>
<b>PAGES 28-31</b>	<b>ROLLED STRAPS (CDRS)</b>



## Gusset Clips

A one-piece design provides 3-way connection (top-bottom-side) for a variety of applications. Erection nail holes are provided to speed up installation.

The CDGC1 and CDGC2 attaches to truss gables and can be installed into wood. This provides greater lateral wind resistance.

### MATERIAL SPECIFICATIONS

**Gauge:** 18ga (43mil)

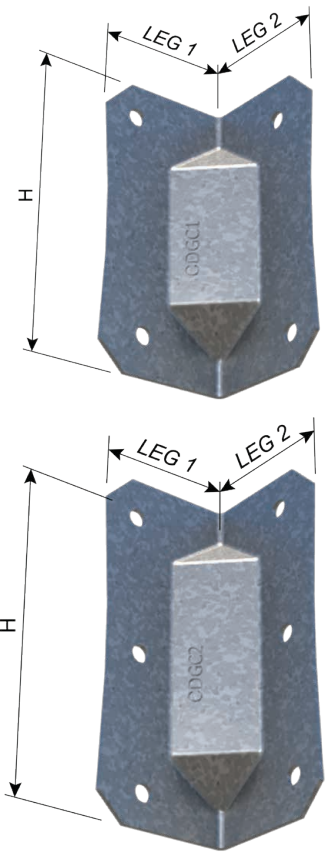
**Design Thickness:** 0.0451 inches

**Coating:** G90 (Z275) hot-dipped galvanized coating

**Yield Strength:** Structural Grade 50 Type H (ST50H), 50ksi (340 MPa)

### CODE REPORT

- ICC-ES ESR-5079



## Gusset Clips (CDGC)

Product Code	Gauge	Dimensions <sup>4</sup>			Fastener Scheduling				LOAD <sup>6</sup> DIR.	Allowable Load (lbf)			
		H	L1	L2	Header		Joist			C <sub>D</sub> = 1.00	C <sub>D</sub> = 1.15	C <sub>D</sub> = 1.25	C <sub>D</sub> = 1.60
					Qty.	Type <sup>5</sup>	Qty.	Type <sup>5</sup>					
CDGC1	18	2-25/32"	1-1/64"	1-1/64"	2	10d x 1-1/2	2	10d x 1-1/2	F <sub>1</sub>	235	235	235	235
									F <sub>2</sub>	275	275	275	275
CDGC2	18	3-5/16"	1-19/64"	1-19/64"	3	10d x 1-1/2	3	10d x 1-1/2	F <sub>1</sub>	320	320	320	320
									F <sub>2</sub>	400	400	400	400

### Notes:

For SI: 1 inch = 25.4 mm, 1 pound (lb) = 4.45 N

<sup>1</sup> The tabulated allowable loads are for a single angle.

<sup>2</sup> The tabulated allowable loads have been adjusted for the load duration factors, C<sub>D</sub>, as shown, in accordance with the NDS. The tabulated allowable loads do not apply to loads of other load durations, and are not allowed to be adjusted for other load durations. See Sections 4.1 and 4.2 in ESR-0579 for additional design and installation requirements.

<sup>3</sup> The tabulated allowable loads are for installations on wood members complying with Section 3.2.1 of the ESR-5079 report.

<sup>4</sup> See images below for dimension definitions of W, L1 and L2.

<sup>5</sup> Refer to Section 3.2.3 of ESR-5079 for nail actual sizes and the required minimum physical properties.

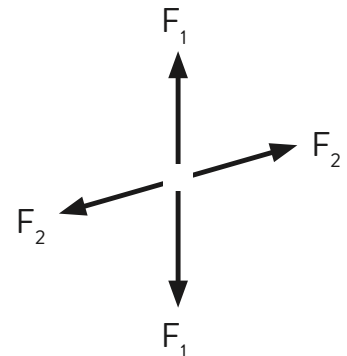
<sup>6</sup> F<sub>1</sub> is the vertical download and F<sub>2</sub> is the load parallel to the header.



CDGC1 Installation



CDGC2 Installation



## "L" and "T" Strap Ties

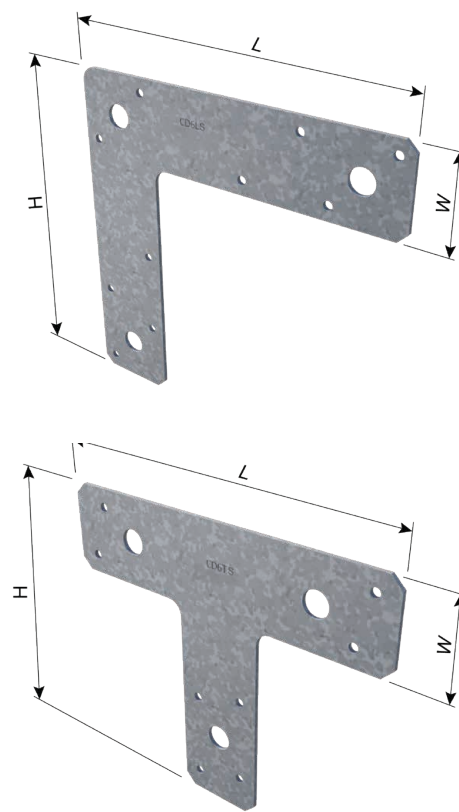
Economical braces are ideal for gates, patio covers, joining posts and columns to headers, beams and other applications where added reinforcement is needed. Braces may be bolted for heavy-duty applications.

### MATERIAL SPECIFICATIONS

- Gauge:** 14ga (68mil)
- Design Thickness:** 0.0713 inches
- Coating:** G90 (Z275) hot-dipped galvanized coating
- Yield Strength:** Structural Grade 50 Type H (ST50H), 50ksi (340 MPa)

### CODE REPORT

- ICC-ES ESR-5079



## "L" and "T" Strap Ties (CD6LS, CD6TS)

Product Code	Gauge	Dimensions <sup>4</sup>			Fastener Scheduling				LOAD <sup>7</sup> DIR.	Allowable Load (lbf)			
		H	L	W	Post		Beam			C <sub>D</sub> = 1.00	C <sub>D</sub> = 1.15	C <sub>D</sub> = 1.25	C <sub>D</sub> = 1.60
					Qty.	Type <sup>5</sup>	Qty.	Type <sup>5</sup>					
CD6LS	14	6"	6"	1-1/2"	4	10d x 2-1/2	6	10d x 2-1/2	F <sub>1</sub>	240	240	240	240
									Uplift	425	425	425	425
CD6TS	14	5"	6"	1-1/2"	4	10d x 2-1/2	4	10d x 2-1/2	F <sub>1</sub>	280	280	280	280
									Uplift	370	370	370	370

### Notes:

For SI: 1 inch = 25.4 mm, 1 pound (lb) = 4.45 N

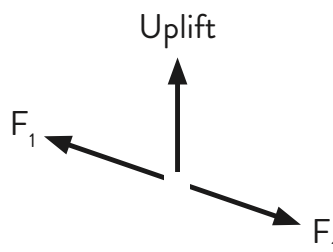
- The tabulated allowable loads are for a single clip.
- The tabulated allowable loads have been adjusted for the load duration factors, C<sub>D</sub>, as shown, in accordance with the NDS. The tabulated allowable loads do not apply to loads of other load durations, and are not allowed to be adjusted for other load durations. See Sections 4.1 and 4.2 in ESR-0579 for additional design and installation requirements.
- The tabulated allowable loads are for installations on wood members complying with Section 3.2.1 of the ESR-5079 report.
- See images below for product dimension definitions.
- Refer to Section 3.2.3 of ESR-5079 for nail actual sizes and the required minimum physical properties.
- F<sub>1</sub> is the load parallel to the beam.



CD6LS Installation



CD6TS Installation





## Medium Clip Angle

12 gauge angles used to attach back-to-back installation.  
The staggered hold pattern minimizes wood splitting.

### MATERIAL SPECIFICATIONS

**Gauge:** 12ga (97mil)

**Design Thickness:** 0.1017 inches

**Coating:** G185

**Yield Strength:** Structural Grade 50 Type H (ST50H), 50ksi (340 MPa)

### CODE REPORT

- ICC-ES ESR-5079

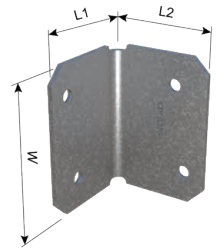
### Medium Clip Angle (CDCA)

Product Code	Gauge	Dimensions <sup>3</sup>			Fastener Scheduling				LOAD <sup>4</sup> DIR.	Allowable Load (lbf)			
		L1	L2	W	Header		Joist			C <sub>D</sub> = 1.0	C <sub>D</sub> = 1.15	C <sub>D</sub> = 1.25	C <sub>D</sub> = 1.6
					Qty.	Type <sup>6</sup>	Qty.	Type <sup>6</sup>					
CDCA23G	12	2-7/64"	2-7/64"	3"	2	WS15	2	WS15	F <sub>1</sub>	425	425	425	425
CDCA24G	12	2-7/64"	2-7/64"	4"	3	WS15	3	WS15	F <sub>1</sub>	425	425	425	425
CDCA26G	12	2-7/64"	2-7/64"	6"	4	WS15	4	WS15	F <sub>1</sub>	615	616	615	615
CDCA28G	12	2-7/64"	2-7/64"	8"	5	WS15	5	WS15	F <sub>1</sub>	765	765	765	765
CDCA210G	12	2-7/64"	2-7/64"	10"	6	WS15	6	WS15	F <sub>1</sub>	795	795	795	795

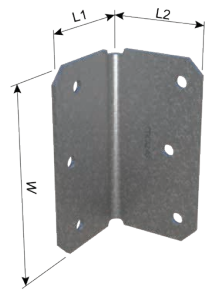
#### Notes:

For SI: 1 inch = 25.4 mm, 1 pound (lb) = 4.45 N

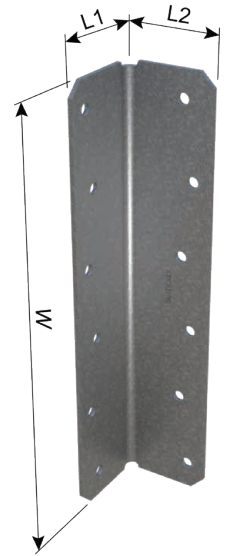
- The tabulated allowable loads are for a single angle. If a single angle is installed on each end of a supported member, the angles must be installed on opposite sides of the supported member, or wood blocking must be installed to prevent rotation.
- The tabulated allowable loads have been adjusted for the load duration factors, C<sub>D</sub>, as shown, in accordance with the NDS. The tabulated allowable loads do not apply to loads of other load durations, and are not allowed to be adjusted for other load durations. See Sections 4.1 and 4.2 in ESR-0579 for additional design and installation requirements.
- The tabulated allowable loads are for installations on wood members complying with Section 3.2.2 of the ESR-5079 report.
- The tabulated allowable uplift loads have been increased for wind and seismic loading with no further increase is allowed. The tabulated allowable uplift loads must be reduced when other load duration govern.
- See images below for hanger dimension definitions of W, L1 and L2.
- WS15 Wood Screws (ESR-2761) are 1/4 inch diameter by 1-1/2 inches long and shipped with CDCA angles.
- F<sub>1</sub> is the vertical load.



CDCA23G



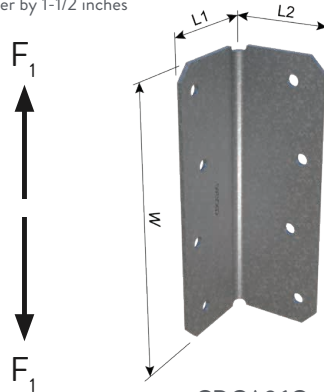
CDCA24G



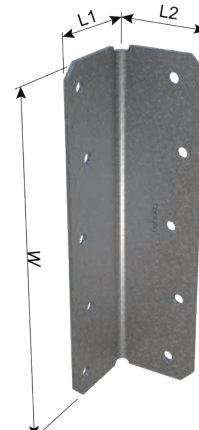
CDCA210G



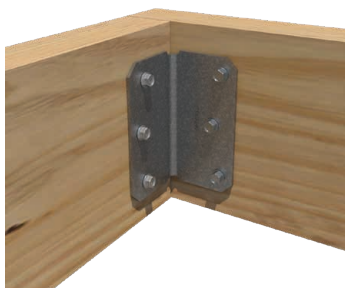
CDCA23G Installation



CDCA26G



CDCA28G



CDCA24G Installation



CDCA26G Installation



CDCA28G Installation



CDCA210G Installation

## Light and Medium Framing Angle

CDFA's provide fast, accurate bolting of two intersecting wood members (reinforcing intersection joints). Versatile angles that are nailed to reinforce intersecting wood members. Medium angles are designed for standardization and construction economies.

### MATERIAL SPECIFICATIONS

**Gauge:** 18ga (43mil)

**Design Thickness:** 0.0451 inches

**Gauge:** 12ga (97mil)

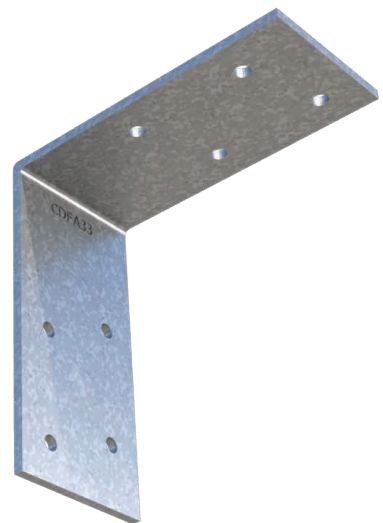
**Design Thickness:** 0.1017 inches

**Coating:** G90 (Z275) hot-dipped galvanized coating

**Yield Strength:** Structural Grade 50 Type H (ST50H), 50ksi (340 MPa)

### CODE REPORT

- ICC-ES ESR-5079  
(CDFA24 and CDFA311 excluded from ESR-5079)





### Light and Medium Framing Angle (CDFA)

Product Code	Connection		Gauge	Dimensions <sup>3</sup>			Fasteners Scheduling			LOAD <sup>6</sup> DIR.	Allowable Load (lbf)			
	Qty.	Type <sup>4</sup>		W	L1	L2	Type <sup>5</sup>	Plate Qty.	Stud Qty.		C <sub>D</sub> = 1.00	C <sub>D</sub> = 1.15	C <sub>D</sub> = 1.25	C <sub>D</sub> = 1.60
CDFA21	1	S-to-P	18	1-3/8"	2-1/16"	1-37/64"	10d x 1-1/2	2	2	F <sub>1</sub>	200	200	200	200
										F <sub>2</sub>	110	110	110	110
CDFA23	1	S-to-P	18	2-3/4"	2-1/16"	1-37/64"	10d x 1-1/2	4	4	F <sub>1</sub>	395	395	395	395
										F <sub>2</sub>	210	210	210	210
CDFA33	1	C-to-B	12	1-1/2"	3-7/32"	3-1/16"	10d x 3.0	4	4	F <sub>1</sub>	580	580	580	580
										F <sub>2</sub>	255	255	255	255
CDFA44	1	C-to-B	12	1-3/16"	4-15/32"	4-15/32"	10d x 3.0	4	4	F <sub>1</sub>	500	500	500	500
										F <sub>2</sub>	260	260	260	260
CDFA66	1	C-to-B	12	1-1/5"	6"	6"	10d x 3.0	3	3	F <sub>1</sub>	445	445	445	445
										F <sub>2</sub>	160	160	160	160
CDFA88	1	C-to-B	12	2"	8-1/8"	8-1/8"	10d x 3.0	4	4	F <sub>1</sub>	490	490	490	490
										F <sub>2</sub>	180	180	180	180

**Notes:**

For SI: 1 inch = 25.4 mm, 1 pound (lb) = 4.45 N

- 1 The tabulated allowable loads have been adjusted for the load duration factors, C<sub>D</sub>, as shown, in accordance with the NDS. The tabulated allowable loads do not apply to loads of other load durations, and are not allowed to be adjusted for other load durations. See Sections 4.1 and 4.2 of ESR-5079 for additional design and installation requirements.
- 2 The tabulated allowable loads are for installations on wood members complying with Section 3.2.2 of the ESR-5079 report.
- 3 See images for hanger dimension definitions of W, L1 and L2.
- 4 Connection type: S-to-P = Stud-to-Plate, C-to-B = Column-to-Beam.
- 5 Refer to Section 3.2.3 of ESR-5079 for nail actual sizes and the required minimum physical properties. R<sub>HF</sub>.
- 6 F<sub>1</sub> is the load parallel to the plate and F<sub>2</sub> is the load perpendicular to the plate.

### Light and Medium Framing Angle (CDFA)

Product Code	Connection		Gauge	Dimensions <sup>3</sup>			Fasteners Scheduling			LOAD <sup>6</sup> DIR.	Allowable Load (lbf)			
	Qty.	Type <sup>4</sup>		W	L1	L2	Type <sup>5</sup>	Plate Qty.	Stud Qty.		C <sub>D</sub> = 1.00	C <sub>D</sub> = 1.15	C <sub>D</sub> = 1.25	C <sub>D</sub> = 1.60
CDFA21	1	S-to-P	18	1-3/8"	2-1/16"	1-37/64"	#9-15 x 1-1/2	2	2	F <sub>1</sub>	350	350	350	350
										F <sub>2</sub>	230	230	230	230
CDFA23	1	S-to-P	18	2-3/4"	2-1/16"	1-37/64"	#9-15 x 1-1/2	4	4	F <sub>1</sub>	545	545	545	545
										F <sub>2</sub>	420	420	420	420
CDFA33	1	C-to-B	12	1-1/2"	3-7/32"	3-1/16"	#9-15 x 3.0	4	4	F <sub>1</sub>	530	530	530	530
										F <sub>2</sub>	290	290	290	290
CDFA44	1	C-to-B	12	1-3/16"	4-15/32"	4-15/32"	#9-15 x 3.0	4	4	F <sub>1</sub>	420	420	420	420
										F <sub>2</sub>	260	260	260	260
CDFA66	1	C-to-B	12	1-1/5"	6"	6"	#9-15 x 3.0	3	3	F <sub>1</sub>	265	265	265	265
										F <sub>2</sub>	170	170	170	170
CDFA88	1	C-to-B	12	2"	8-1/8"	8-1/8"	#9-15 x 3.0	4	4	F <sub>1</sub>	345	345	345	345
										F <sub>2</sub>	250	250	250	250

**Notes:**

For SI: 1 inch = 25.4 mm, 1 pound (lb) = 4.45 N

- 1 The tabulated allowable loads have been adjusted for the load duration factors, C<sub>D</sub>, as shown, in accordance with the NDS. The tabulated allowable loads do not apply to loads of other load durations, and are not allowed to be adjusted for other load durations. See Sections 4.1 and 4.2 of ESR-5079 for additional design and installation requirements.
- 2 The tabulated allowable loads are for installations on wood members complying with Section 3.2.2 of the ESR-5079 report.
- 3 See images for hanger dimension definitions of W, L1 and L2.
- 4 Connection type: S-to-P = Stud-to-Plate, C-to-B = Column-to-Beam.
- 5 ITW Buildex Trugrip metal-to-wood screws. Refer to www.itwbuildex.com for the required physical properties.
- 6 F<sub>1</sub> is the load parallel to the beam and F<sub>2</sub> is the load perpendicular to the beam.

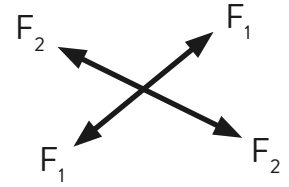
Light and Medium Framing Angle



CDFA33



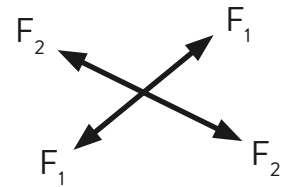
CDFA33 Installation



CDFA44



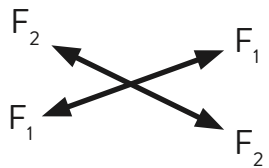
CDFA44 Installation



CDFA66



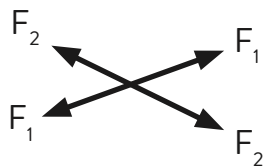
CDFA66 Installation



CDFA88



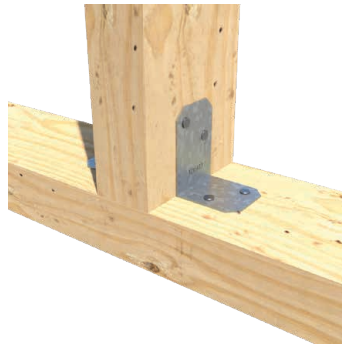
CDFA88 Installation



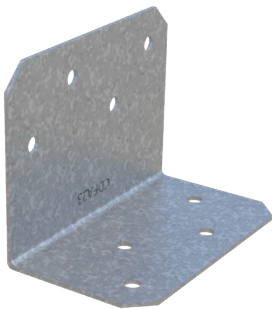
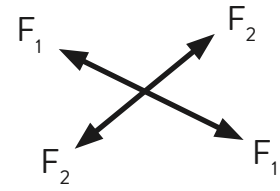




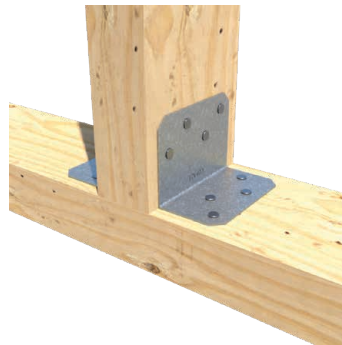
CDFA21



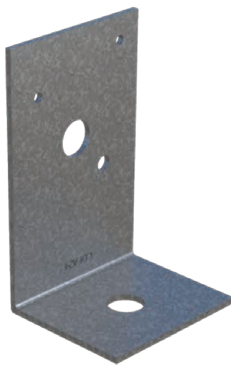
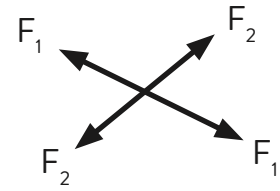
CDFA21 Installation



CDFA23



CDFA23 Installation



CDFA24



CDFA24 Installation



CDFA311



CDFA311 Installation

## Framing Angles

CDFA1 angles provide the builder with the industry's most versatile framing angle including:

- Prongs - permit faster and easier installation.
- Bending slots - make accurate bends for all 2- and 3-way anchoring ties on the job.

### MATERIAL SPECIFICATIONS

**Gauge:** 18ga (43mil)

**Design Thickness:** 0.0451 inches

**Coating:** G90 (Z275) hot-dipped galvanized coating

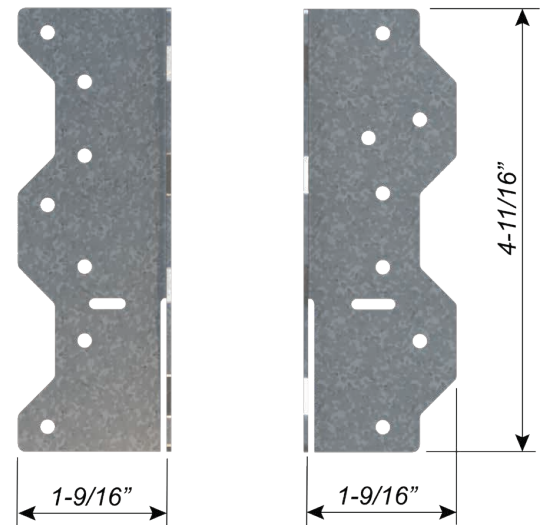
**Yield Strength:** Structural Grade 50 Type H (ST50H), 50ksi (340 MPa)

### PRODUCT DIMENSIONS

**Width (W):** 1-9/16"

**Height (H):** 4-11/16"

**Depth (D):** 1-9/16"



### CODE REPORT

- ICC-ES ESR-5079

## Framing Angles (CDFA1)

Product Code	Gauge	Qty <sup>5</sup>	Dimensions <sup>3</sup>			Fastener Scheduling			LOAD <sup>6</sup> DIR.	Allowable Load (lbf)			
			W	L1	L2	Type <sup>4</sup>	Joist Qty.	Header Qty.		C <sub>D</sub> = 1.00	C <sub>D</sub> = 1.15	C <sub>D</sub> = 1.25	C <sub>D</sub> = 1.60
CDFA1	18	2	1-9/16"	4-11/16"	1-9/16"	10d x 1-1/2	14	14	F <sub>1</sub>	1495	1495	1495	1495
CDFA1	18	1	1-9/16"	4-11/16"	1-9/16"	10d x 1-1/2	7	7	F <sub>1</sub>	750	750	750	750

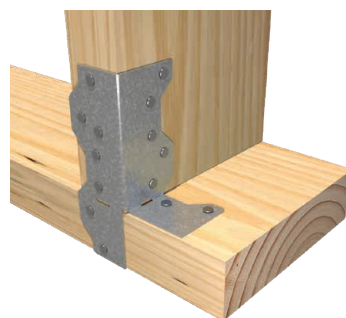
### Notes:

For SI Units: 1 inch = 25.4 mm, 1 pound (lb) = 4.45 N

- 1 The tabulated allowable loads have been adjusted for the load duration factors, C<sub>D</sub>, as shown, in accordance with the NDS. The tabulated allowable loads do not apply to loads of other load durations, and are not allowed to be adjusted for other load durations. See Sections 4.1 and 4.2 of ESR-5079 for additional design and installation requirements.
- 2 The tabulated allowable loads are for installations on wood members complying with Section 3.2.2 of the ESR-5079 report.
- 3 Refer to image for angle dimensions.
- 4 Refer to Section 3.2.3 of ESR-5079 for nail sizes and the required minimum physical properties.
- 5 Number of hangers required for the connections: "2" = one on each side of the joist. "1" = one on one side of the joist. If a single angle is installed on each end of a supported member, the angles must be installed on opposite sides of the supported member, or wood blocking must be installed to prevent rotation.
- 6 F<sub>1</sub> is the vertical load.



CDFA1 Installation



CDFA1 Installation



CDFA1 Installation



CDFA2 angles provide the builder with the industry's most versatile framing angle including:

- Prongs - permit faster and easier installation.
- Bending slots - make accurate bends for all 2- and 3-way anchoring ties on the job.

CDFA2 angles have been designed especially for use on 2x4, 2x3 and 3x4 framing.

**MATERIAL SPECIFICATIONS**

**Gauge:** 18ga (43mil)

**Design Thickness:** 0.0451 inches

**Coating:** G90 (Z275) hot-dipped galvanized coating

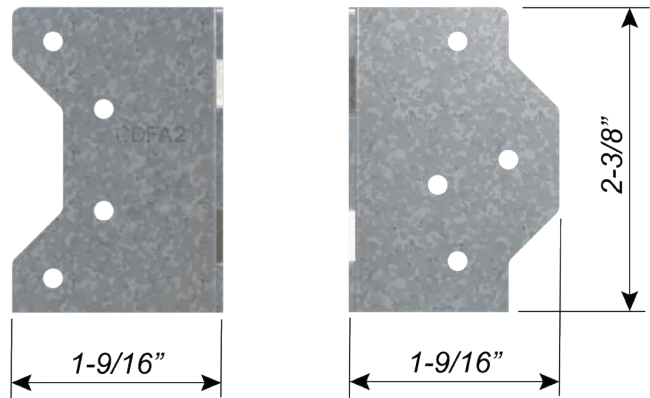
**Yield Strength:** Structural Grade 50 Type H (ST50H), 50ksi (340 MPa)

**PRODUCT DIMENSIONS**

**Width (W):** 1-9/16"

**Height (H):** 2-3/8"

**Depth (D):** 1-9/16"



CDFA2 Installation

**CODE REPORT**

- ICC-ES ESR-5079

Framing Angles (CDFA2)													
Product Code	Gauge	Qty <sup>5</sup>	Dimensions <sup>3</sup>			Fastener Scheduling			LOAD <sup>6</sup> DIR.	Allowable Load (lbf)			
			W	L1	L2	Type <sup>4</sup>	Joist Qty.	Header Qty.		C <sub>D</sub> = 1.00	C <sub>D</sub> = 1.15	C <sub>D</sub> = 1.25	C <sub>D</sub> = 1.60
CDFA2	18	2	1-9/16"	2-3/8"	1-9/16"	10d x 1-1/2	8	8	F <sub>1</sub>	800	800	800	800
CDFA2	18	1	1-9/16"	2-3/8"	1-9/16"	10d x 1-1/2	4	4	F <sub>1</sub>	400	400	400	400

**Notes:**

For SI Units: 1 inch = 25.4 mm, 1 pound (lb) = 4.45 N

- 1 The tabulated allowable loads have been adjusted for the load duration factors, C<sub>D</sub>, as shown, in accordance with the NDS. The tabulated allowable loads do not apply to loads of other load durations, and are not allowed to be adjusted for other load durations. See Sections 4.1 and 4.2 of ESR-5079 for additional design and installation requirements.
- 2 The tabulated allowable loads are for installations on wood members complying with Section 3.2.2 of the ESR-5079 report.
- 3 Refer to image for angle dimensions.
- 4 Refer to Section 3.2.3 of ESR-5079 for nail sizes and the required minimum physical properties.
- 5 Number of hangers required for the connections: "2" = one on each side of the joist. "1" = one on one side of the joist. If a single angle is installed on each end of a supported member, the angles must be installed on opposite sides of the supported member, or wood blocking must be installed to prevent rotation.
- 6 F<sub>1</sub> is the vertical load.



## Mending Tie Plate

Versatile and easy-to-use mending plates for wood-to-wood connections. No nails or notching of wood required. For non-structural applications only.

### MATERIAL SPECIFICATIONS

**Gauge:** 20ga (33mil)

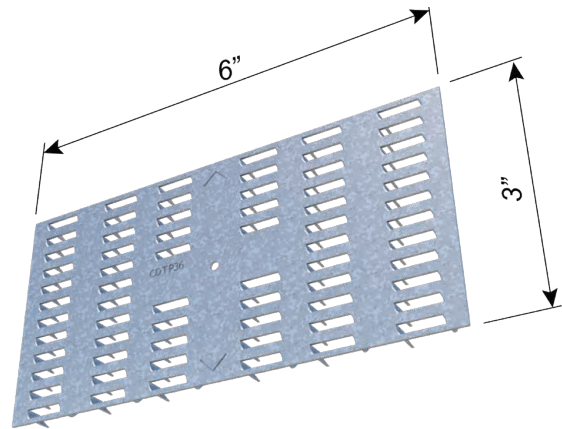
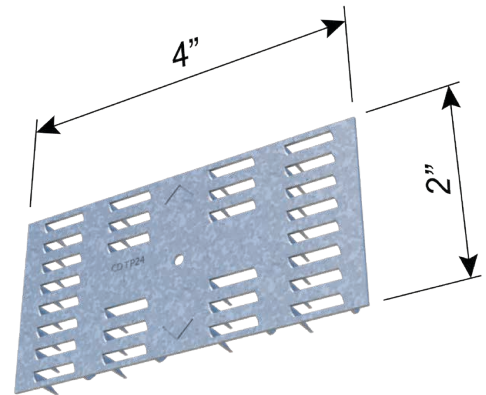
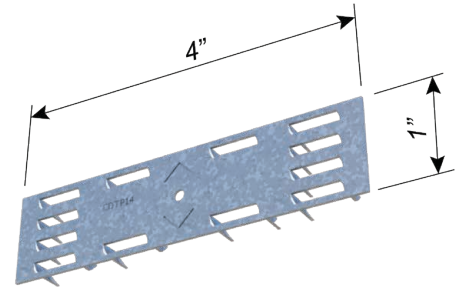
**Design Thickness:** 0.0346 inches

**Coating:** G90 (Z275) hot-dipped galvanized coating

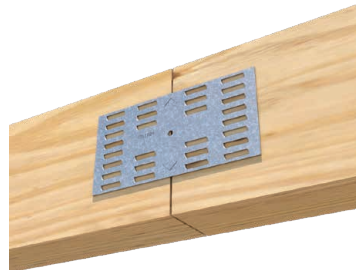
**Yield Strength:** Structural Grade 50 Type H (ST50H), 50ksi (340 MPa)

### Mending Tie Plate (CDTP)

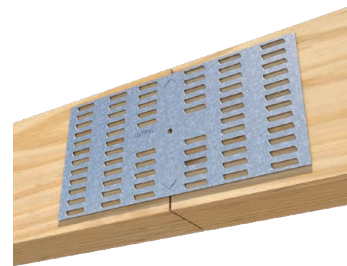
Product Code	Size
CDTP14	1" x 4"
CDTP24	2" x 4"
CDTP36	3" x 6"



CDTP14 Installation



CDTP24 Installation



CDTP36 Installation

## Nail Stop Plates

Designed to prevent nails from piercing and damaging mechanical, electrical and plumbing pipes and lines. To protect supply lines, the nail stopper is installed over each point where utilities pass through framing members.

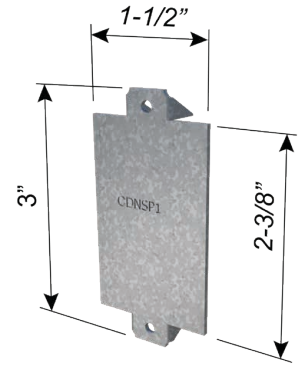
### MATERIAL SPECIFICATIONS

**Gauge:** 16ga (54mil)

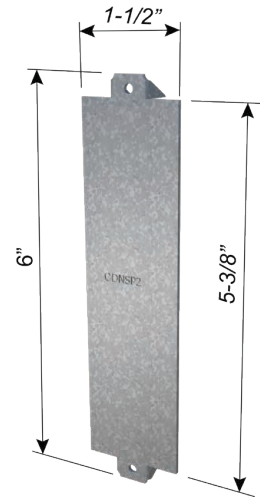
**Design Thickness:** 0.0566 inches

**Coating:** G90 (Z275) hot-dipped galvanized coating

**Yield Strength:** Structural Grade 50 Type H (ST50H), 50ksi (340 MPa)

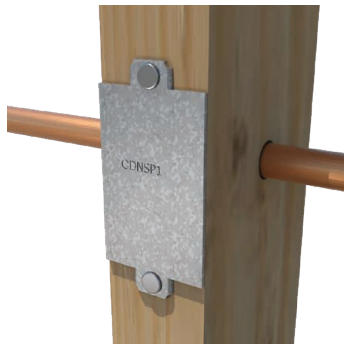


CDNSP1

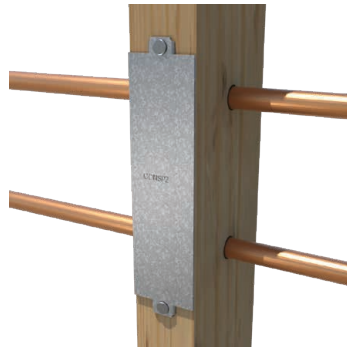


CDNSP2

Nail Stop Plates (CDNSP)	
Product Code	Size
CDNSP1	1-1/2" x 3"
CDNSP2	1-1/2" x 6"



CDNSP1 Installation



CDNSP2 Installation



## Nail Plates

Nail Plates are used for attaching wooden members together in a non-structural connection.

### MATERIAL SPECIFICATIONS

**Gauge:** 20ga (33mil)

**Design Thickness:** 0.0346 inches

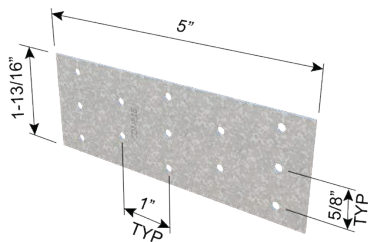
**Coating:** G90 (Z275) hot-dipped galvanized coating

**Yield Strength:** Structural Grade 50 Type H (ST50H), 50ksi (340 MPa)

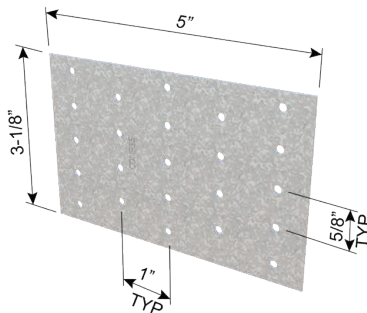


### Nail Plates (CDNP)

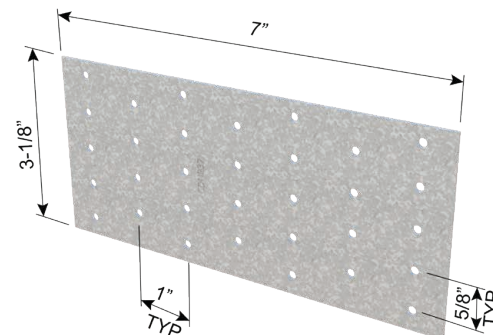
Product Code	Size
CDNP15	2" x 5"
CDNP35	3" x 5"
CDNP37	3" x 7"
CDNP45	4" x 5"
CDNP47	4" x 7"
CDNP57	5" x 7"



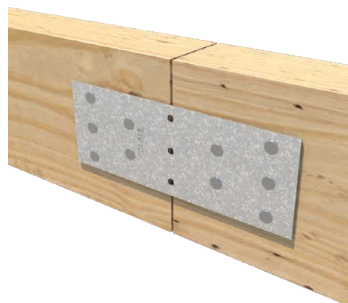
CDNP15



CDNP35



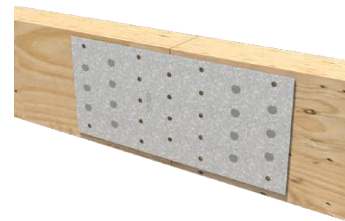
CDNP37



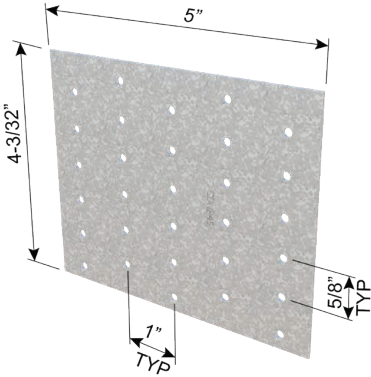
CDNP15 Installation



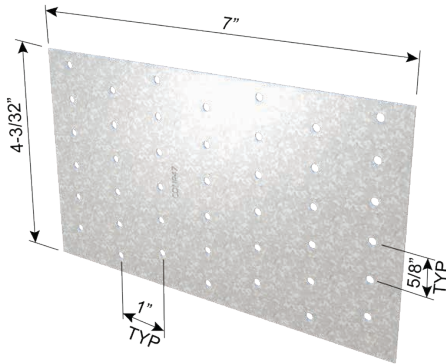
CDNP35 Installation



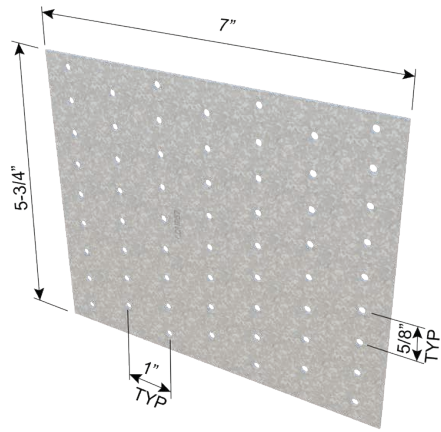
CDNP37 Installation



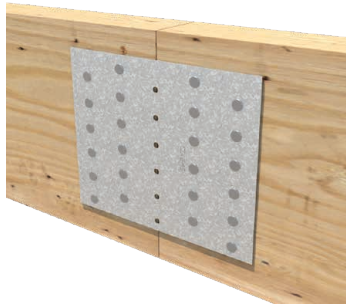
CDNP45



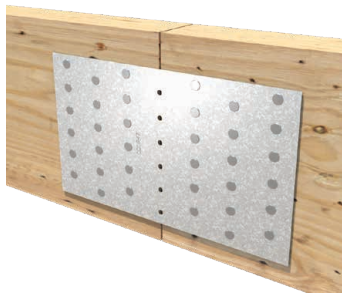
CDNP47



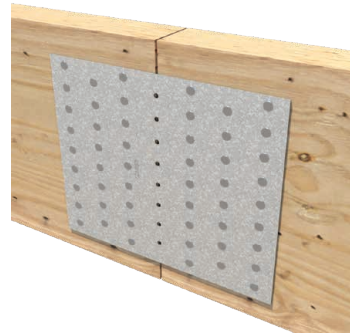
CDNP57



CDNP45 Installation



CDNP47 Installation



CDNP57 Installation

## Tie Plate Anchor Series

The CDTPA Anchor Series is manufactured to resist uplift of the top plate(s) of solid sawn or structural composite lumber wall members from solid sawn or structural composite lumber wall stud members.

CDTPA4 and CDTPA6 anchors resist upward load on nominal 2x4 and 2x6 respectively, solid sawn or structural composite lumber walls.

### MATERIAL SPECIFICATIONS

**Gauge:** 20ga (33mil)

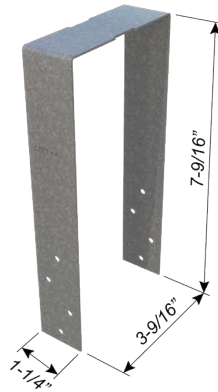
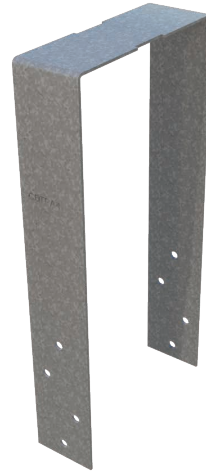
**Design Thickness:** 0.0346 inches

**Coating:** G90 (Z275) hot-dipped galvanized coating

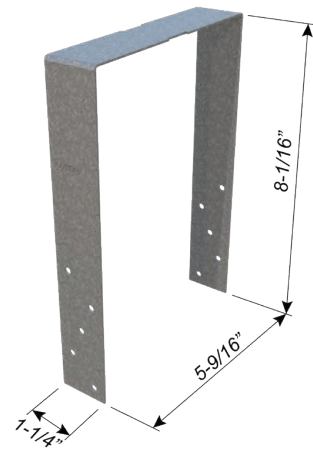
**Yield Strength:** Structural Grade 50 Type H (ST50H), 50ksi (340 MPa)

### CODE REPORT

- IAPMO ER-0176



CDTPA4



CDTPA6



CDTPA4 Installation



CDTPA6 Installation



### Tie Plate Anchor Series (CDTPA)

Product Code	Gauge	Overall Dimensions (in)			Fasteners (Quantity on Each Side of Stud)		Allowable Upward Loads (lbs)											
		Width (W)	Height (H)	Depth (D)	Size	Quantity	Spruce Pine-Fir (0.42 Specific Gravity)				Douglas Fir-Larch (0.50 Specific Gravity)				Southern Pine (0.55 Specific Gravity)			
							Load Duration Factor				Load Duration Factor				Load Duration Factor			
							1.00	1.15	1.25	1.60	1.00	1.15	1.25	1.60	1.00	1.15	1.25	1.60
CDTPA4	20	3-9/16	7-9/16	1-1/4	0.131" x 2.5"	2	160	185	200	235	190	215	235	235	205	235	235	235
					0.148" x 3.0"	2	155	175	190	245	225	260	275	275	245	275	275	275
					0.131" x 2.5"	4	325	330	330	330	330	330	330	330	330	330	330	330
					0.148" x 3.0"	4	305	350	385	410	410	410	410	410	410	410	410	410
					0.131" x 2.5"	6	485	555	605	775	565	650	705	900	610	700	765	905
					0.148" x 3.0"	6	460	530	575	735	680	785	850	965	740	850	925	965
					0.131" x 2.5"	8	645	740	805	895	750	865	895	895	815	895	895	895
					0.148" x 3.0"	8	615	705	765	960	910	1045	1135	1170	985	1135	1170	1170
CDTPA6	20	5-9/16	8-1/16	1-1/4	0.131" x 2.5"	2	160	185	200	240	190	215	235	240	205	235	240	240
					0.148" x 3.0"	2	155	175	190	245	225	260	285	345	245	285	310	345
					0.131" x 2.5"	4	325	370	405	515	375	430	470	525	405	470	510	525
					0.148" x 3.0"	4	305	350	385	490	455	520	545	545	495	545	545	545
					0.131" x 2.5"	6	485	555	605	750	565	650	705	750	610	700	750	750
					0.148" x 3.0"	6	460	530	575	735	680	785	805	805	740	805	805	805
					0.131" x 2.5"	8	645	740	805	940	750	865	940	940	815	935	940	940
					0.148" x 3.0"	8	615	705	765	980	910	1010	1010	1010	985	1010	1010	1010
					0.131" x 2.5"	10	805	925	985	985	940	985	985	985	985	985	985	985
					0.148" x 3.0"	10	765	880	955	1130	1130	1130	1130	1130	1130	1130	1130	1130

**Notes:**

1 Allowable Load Capacities are based on the Tabulated Species and Load Duration Factor.

## Steel Plywood /Sheathing Clip

Fast and easy - just slip over the sheathing edge.  
Eliminates unreliable wood blocking. For installation, use the same clip as plywood thickness.

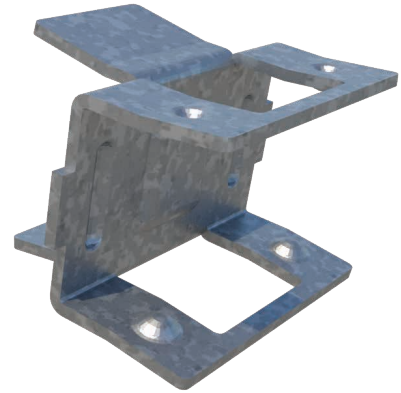
### MATERIAL SPECIFICATIONS

**Gauge:** 20ga (33mil)

**Design Thickness:** 0.0346 inches

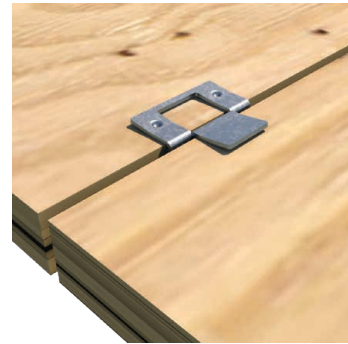
**Coating:** G90 (Z275) hot-dipped galvanized coating

**Yield Strength:** Structural Grade 50 Type H (ST50H), 50ksi (340 MPa)



### Steel Plywood /Sheathing Clip (CDPC)

Product Code	Material
CDPC38	3/8"
CDPC716	7/16"
CDPC12	1/2"
CDPC58	5/8"
CDPC34	3/4"
CDPC1532	15/32"



Steel Plywood/Sheathing Clips  
Installation

Twist Straps

CDLST Series

Manufactured to resist tension load when attached to solid sawn or structural composite lumber metal plate connected trusses, framing members and wall members.

CDLST Twist Straps are 1-1/4" wide and available in lengths from 9-5/8" to 24-5/8". Three holes are located at 3/4" on center, in a diagonal pattern, at each end of the strap. Remaining holes are punched at 1-1/2" on center, in a diagonal pattern. At mid length of each strap is a 3" long section with no holes and a 90 degree bend extending across the width of the strap for 4-5/8".



**MATERIAL SPECIFICATIONS**

**Gauge:** 20ga (33mil)

**Design Thickness:** 0.0346 inches

**Coating:** G90 (Z275) hot-dipped galvanized coating

**Yield Strength:** Structural Grade 50 Type H (ST50H), 33ksi (227.5 MPa)

**CODE REPORT**

- IAPMO ER-0176



CDLST Series Installation

Twist Straps (CDLST Series)

Product Code	Strap Dimensions (in)		Fasteners (Quantity at Each End)		Allowable Upward Loads (lbs)											
	W	L	Size	Quantity	Spruce Pine-Fir (0.42 Specific Gravity)				Douglas Fir-Larch (0.50 Specific Gravity)				Southern Pine (0.55 Specific Gravity)			
					Load Duration Factor				Load Duration Factor				Load Duration Factor			
	1.00	1.15	1.25	1.60	1.00	1.15	1.25	1.60	1.00	1.15	1.25	1.60				
CDLS9T	1-1/4	9-5/8	0.148" x 1.5"	3	295	335	365	440	340	390	425	440	370	425	440	440
CDLS12T	1-1/4	12-5/8	0.148" x 1.5"	4	390	450	490	540	455	520	540	540	495	540	540	540
CDLS15T	1-1/4	15-5/8	0.148" x 1.5"	5	490	560	610	680	570	655	680	680	615	680	680	680
CDLS18T	1-1/4	18-5/8	0.148" x 1.5"	6	585	675	730	745	680	745	745	745	740	745	745	745
CDLS21T	1-1/4	21-5/8	0.148" x 1.5"	7	685	745	745	745	745	745	745	745	745	745	745	745
CDLS24T	1-1/4	24-5/8	0.148" x 1.5"	8	745	745	745	745	745	745	745	745	745	745	745	745

**Notes:**

1 Allowable Load Capacities based on the Tabulated Species and Load Duration Factor.

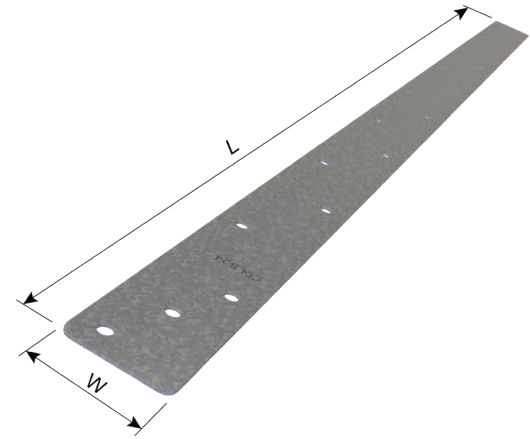
2 Products shown in table are made of No. 20 gauge steel.

## Light Straps

## CDLS Series

Manufactured to resist tension load when attached to solid sawn or structural composite lumber metal plate connected trusses, framing members and wall members.

CDLS Straps are 1-1/4" wide and available in lengths from 9-5/8" to 24-5/8". Three holes are located at 3/4" on center, in a diagonal pattern, at each end of the strap. Remaining holes are punched at 1-1/2" on center, in a diagonal pattern. At mid length of each strap is a 3" long section with no holes.

**MATERIAL SPECIFICATIONS**

**Gauge:** 20ga (33mil)

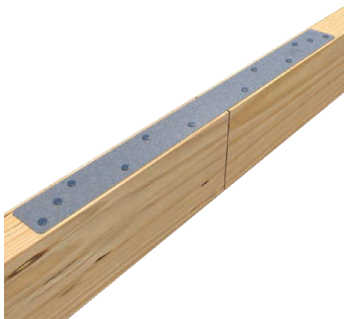
**Design Thickness:** 0.0346 inches

**Coating:** G90 (Z275) hot-dipped galvanized coating

**Yield Strength:** Structural Grade 50 Type H (ST50H), 33ksi (227.5 MPa)

**CODE REPORT**

- IAPMO ER-0176



CDLS Series Installation



CDLS Series Installation

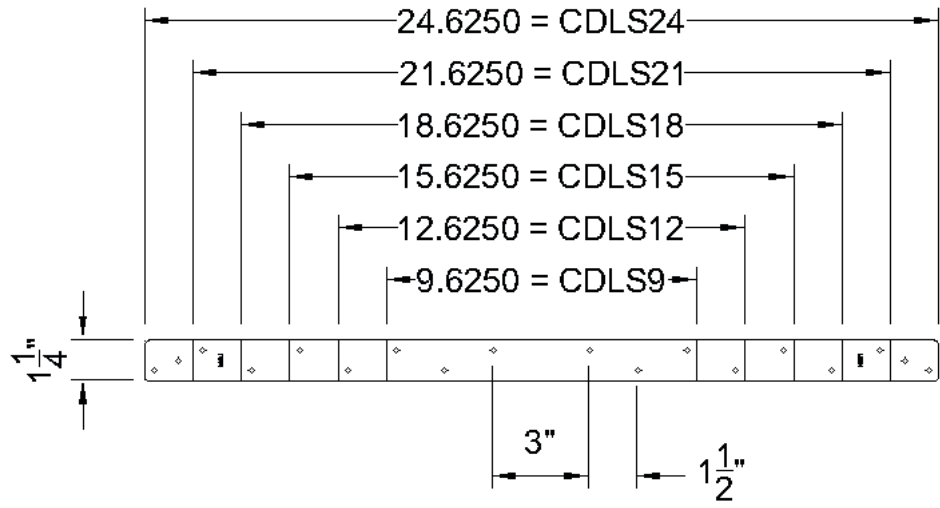


CDLS Series Installation



Light Straps (CDLS Series)																	
Product Code	Gauge	Strap Dimensions (in)		Fasteners Type (Each End)		Allowable Upward Loads (lbs)											
		W	L	Size	Qty	Spruce Pine-Fir (0.42 Specific Gravity)				Douglas Fir-Larch (0.50 Specific Gravity)				Southern Pine (0.55 Specific Gravity)			
						Load Duration Factor				Load Duration Factor				Load Duration Factor			
						1.00	1.15	1.25	1.60	1.00	1.15	1.25	1.60	1.00	1.15	1.25	1.60
CDLS9	20	1-1/4	9-5/8	0.131" x 2.5"	4	325	370	405	515	375	430	470	600	405	470	510	650
				0.148" x 1.5"		390	450	490	625	455	520	570	725	495	565	615	745
				0.148" x 3.0"		390	450	490	625	455	520	570	725	495	565	615	745
				0.162" x 3.5"		465	535	585	745	545	625	680	745	590	680	735	745
CDLS12	20	1-1/4	12-5/8	0.131" x 2.5"	5	405	465	505	645	470	540	585	745	510	585	635	745
				0.148" x 1.5"		490	560	610	745	570	655	710	745	615	710	745	745
				0.148" x 3.0"		490	560	610	745	570	655	710	745	615	710	745	745
				0.162" x 3.5"		585	670	730	745	680	745	745	745	735	745	745	745
CDLS15	20	1-1/4	15-5/8	0.131" x 2.5"	6	485	555	605	745	565	650	705	745	610	700	745	745
				0.148" x 1.5"		585	675	730	745	680	745	745	745	740	745	745	745
				0.148" x 3.0"		585	675	730	745	680	745	745	745	740	745	745	745
				0.162" x 3.5"		700	745	745	745	745	745	745	745	745	745	745	745
CDLS18	20	1-1/4	18-5/8	0.131" x 2.5"	7	565	650	705	745	655	745	745	745	710	745	745	745
				0.148" x 1.5"		685	745	745	745	745	745	745	745	745	745	745	745
				0.148" x 3.0"		685	745	745	745	745	745	745	745	745	745	745	745
				0.162" x 3.5"		745	745	745	745	745	745	745	745	745	745	745	745
CDLS21	20	1-1/4	21-5/8	0.131" x 2.5"	8	645	740	745	745	745	745	745	745	745	745	745	745
				0.148" x 1.5"		745	745	745	745	745	745	745	745	745	745	745	745
				0.148" x 3.0"		745	745	745	745	745	745	745	745	745	745	745	745
				0.162" x 3.5"		745	745	745	745	745	745	745	745	745	745	745	745
CDLS24	20	1-1/4	24-5/8	0.131" x 2.5"	9	725	745	745	745	745	745	745	745	745	745	745	745
				0.148" x 1.5"		745	745	745	745	745	745	745	745	745	745	745	745
				0.148" x 3.0"		745	745	745	745	745	745	745	745	745	745	745	745
				0.162" x 3.5"		745	745	745	745	745	745	745	745	745	745	745	745

**Notes:**  
 1 Allowable Load Capacities are based on the Tabulated Species and Load Duration Factor.

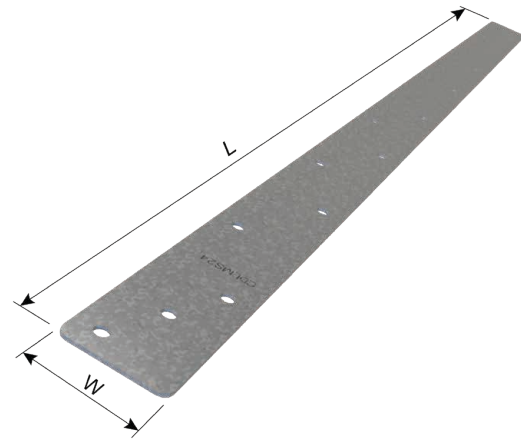


## Medium Straps

### CDLMS Series

Manufactured to resist tension load when attached to solid sawn or structural composite lumber metal plate connected trusses, framing members and wall members.

CDLMS Straps are 1-1/4" wide and available in lengths from 9-5/8" to 36-5/8". Three holes are located at 3/4" on center, in a diagonal pattern, at each end of the strap. Remaining holes are punched at 1-1/2" on center, in a diagonal pattern. At mid length of each strap is a 3" long section with no holes.



#### MATERIAL SPECIFICATIONS

**Gauge:** 18ga (43mil)

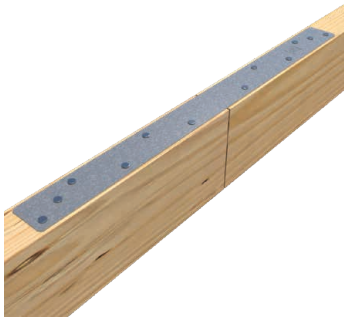
**Design Thickness:** 0.0451 inches

**Coating:** G90 (Z275) hot-dipped galvanized coating

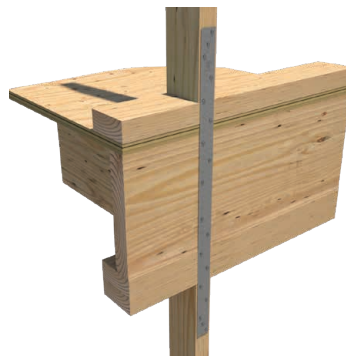
**Yield Strength:** Structural Grade 50 Type H (ST50H), 50ksi (340 MPa)

#### CODE REPORT

- IAPMO ER-0176



CDLMS Series Installation



CDLMS Series Installation

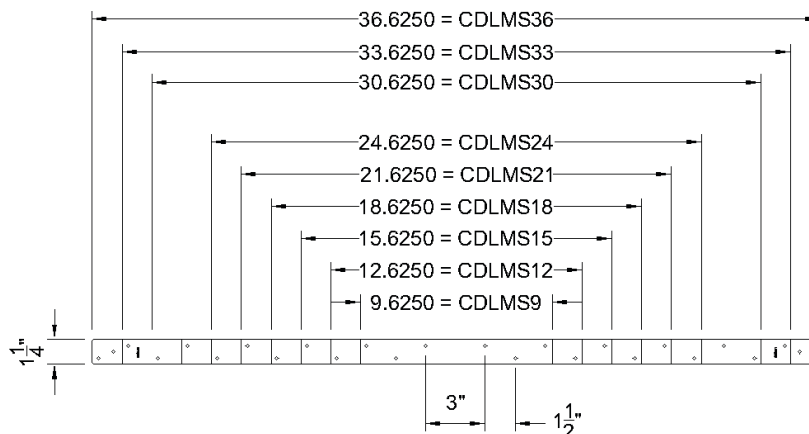


CDLMS Series Installation

Medium Straps (CDLMS Series)																	
Product Code	Gauge	Strap Dimensions (in)		Fasteners (Quantity at Each End)		Allowable Upward Loads (lbs)											
		W	L	Size	Qty	Spruce Pine-Fir (0.42 Specific Gravity)				Douglas Fir-Larch (0.50 Specific Gravity)				Southern Pine (0.55 Specific Gravity)			
						Load Duration Factor				Load Duration Factor				Load Duration Factor			
						1.00	1.15	1.25	1.60	1.00	1.15	1.25	1.60	1.00	1.15	1.25	1.60
CDLMS9	18	1-1/4	9-5/8	0.131" x 1.5"	4	335	385	420	535	390	450	485	625	420	485	525	675
				0.148" x 1.5"		405	465	505	645	470	540	585	750	510	585	635	815
				0.162" x 2.5"		480	550	600	765	560	640	700	895	605	695	755	970
CDLMS12	18	1-1/4	12-5/8	0.131" x 1.5"	5	420	480	525	670	485	560	610	780	525	605	660	845
				0.148" x 1.5"		505	580	630	805	585	675	730	935	635	730	795	1015
				0.162" x 2.5"		600	690	750	960	700	805	870	1115	755	870	945	1210
CDLMS15	18	1-1/4	15-5/8	0.131" x 1.5"	6	500	575	625	805	585	670	730	935	635	730	790	1015
				0.148" x 1.5"		605	695	755	965	705	810	880	1125	760	875	955	1220
				0.162" x 2.5"		720	825	900	1150	835	965	1045	1340	910	1045	1135	1455
CDLMS18	18	1-1/4	18-5/8	0.131" x 1.5"	7	585	675	730	935	680	785	850	1090	740	850	925	1180
				0.148" x 1.5"		705	810	880	1125	820	945	1025	1310	890	1025	1110	1425
				0.162" x 2.5"		840	965	1050	1340	975	1125	1220	1565	1060	1220	1325	1570
CDLMS21	18	1-1/4	21-5/8	0.131" x 1.5"	8	670	770	835	1070	780	895	975	1245	845	970	1055	1350
				0.148" x 1.5"		805	925	1005	1290	935	1080	1170	1500	1015	1170	1270	1570
				0.162" x 2.5"		960	1100	1200	1535	1115	1285	1395	1570	1210	1395	1515	1570
CDLMS24	18	1-1/4	24-5/8	0.131" x 1.5"	9	755	865	940	1205	875	1005	1095	1400	950	1090	1185	1520
				0.148" x 1.5"		905	1040	1130	1450	1055	1215	1320	1570	1145	1315	1430	1570
				0.162" x 2.5"		1080	1240	1350	1570	1255	1445	1570	1570	1365	1565	1570	1570
CDLMS30	18	1-1/4	30-5/8	0.131" x 1.5"	11	920	1060	1150	1470	1070	1230	1340	1570	1160	1335	1450	1570
				0.148" x 1.5"		1105	1275	1385	1570	1290	1480	1570	1570	1400	1570	1570	1570
				0.162" x 2.5"		1320	1515	1570	1570	1535	1570	1570	1570	1570	1570	1570	1570
CDLMS33	18	1-1/4	33-5/8	0.131" x 1.5"	12	1005	1155	1255	1570	1170	1345	1460	1570	1265	1455	1570	1570
				0.148" x 1.5"		1210	1390	1510	1570	1405	1570	1570	1570	1525	1570	1570	1570
				0.162" x 2.5"		1440	1570	1570	1570	1570	1570	1570	1570	1570	1570	1570	1570
CDLMS36	18	1-1/4	36-5/8	0.131" x 1.5"	13	1085	1250	1360	1570	1265	1455	1570	1570	1370	1570	1570	1570
				0.148" x 1.5"		1310	1505	1570	1570	1525	1570	1570	1570	1570	1570	1570	1570
				0.162" x 2.5"		1555	1570	1570	1570	1570	1570	1570	1570	1570	1570	1570	1570

**Notes:**

- 1 Allowable Load Capacities based on Species and Load Duration Factor as permitted by applicable building code.
- 2 All nail holes must be filled to obtain tabulated loads.
- 3 Specified fasteners and allowable loads may be used with longer straps with fasteners only applied to strap ends.

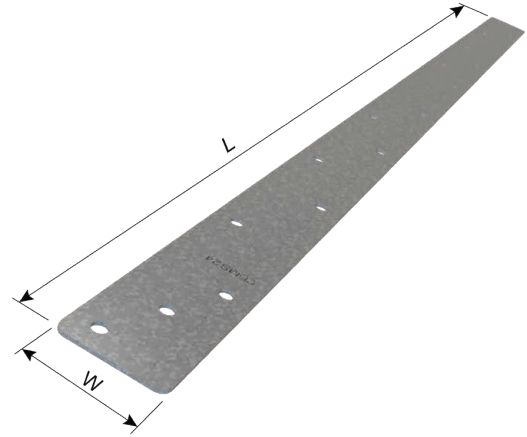


## Straps

## CDMS Series

Manufactured to resist tension load when attached to solid sawn or structural composite lumber metal plate connected trusses, framing members and wall members.

CDMS Straps are 1-1/4" wide and available in lengths from 21-5/8" to 39-5/8". Three holes are located at 3/4" on center, in a diagonal pattern, at each end of the strap. Remaining holes are punched at 1-1/2" on center, in a diagonal pattern. At mid length of each strap is a 3" long section with no holes.

**MATERIAL SPECIFICATIONS**

**Gauge:** 16ga (54mil)

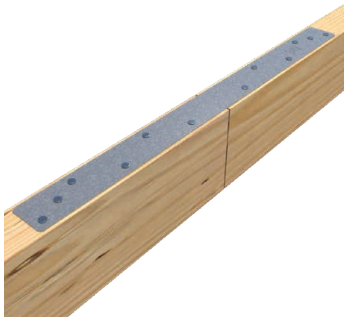
**Design Thickness:** 0.0566 inches

**Coating:** G90 (Z275) hot-dipped galvanized coating

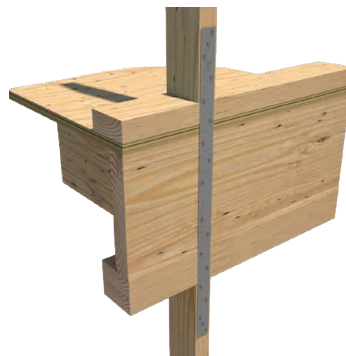
**Yield Strength:** Structural Grade 50 Type H (ST50H), 50ksi (340 MPa)

**CODE REPORT**

- IAPMO ER-0176



CDMS Series Installation



CDMS Series Installation



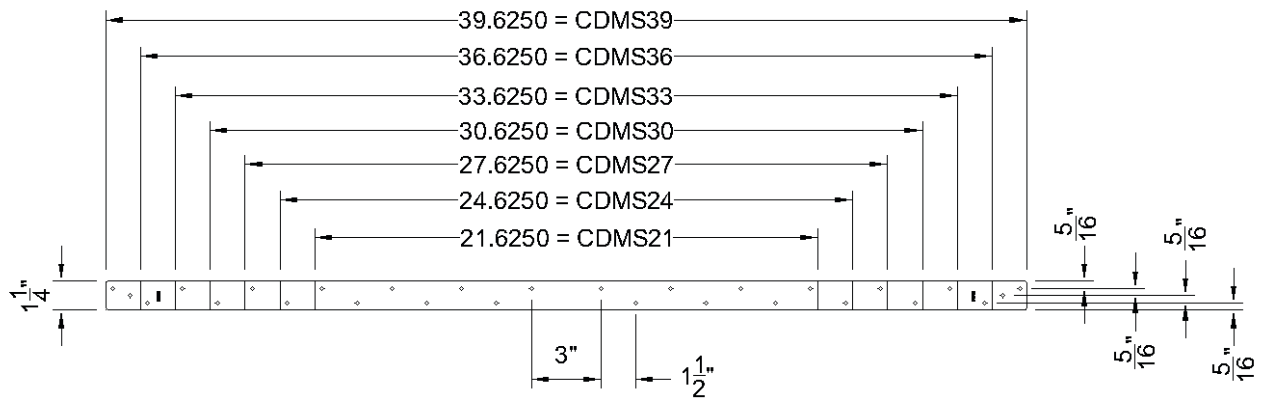
CDMS Series Installation



Straps (CDMS Series)																	
Product Code	Gauge	Strap Dimensions (in)		Fasteners (Quantity at Each End)		Allowable Upward Loads (lbs)											
						Spruce Pine-Fir (0.42 Specific Gravity)				Douglas Fir-Larch (0.50 Specific Gravity)				Southern Pine (0.55 Specific Gravity)			
		W	L	Size	Qty	Load Duration Factor				Load Duration Factor				Load Duration Factor			
						1.00	1.15	1.25	1.60	1.00	1.15	1.25	1.60	1.00	1.15	1.25	1.60
CDMS21	16	1-1/4	21-5/8	0.131" x 2.5"	8	660	755	820	1050	765	880	955	1220	825	950	1035	1325
				0.148" x 1.5"		825	950	1030	1320	960	1100	1200	1535	1040	1195	1300	1660
				0.148" x 3.0"		825	950	1030	1320	960	1100	1200	1535	1040	1195	1300	1660
				0.162" x 3.5"		975	1125	1220	1565	1135	1305	1420	1765	1230	1415	1540	1765
CDMS24	16	1-1/4	24-5/8	0.131" x 2.5"	9	740	850	925	1185	860	990	1075	1375	930	1070	1165	1490
				0.148" x 1.5"		925	1065	1160	1485	1080	1240	1350	1725	1170	1345	1460	1765
				0.148" x 3.0"		925	1065	1160	1485	1080	1240	1350	1725	1170	1345	1460	1765
				0.162" x 3.5"		1100	1265	1375	1760	1280	1470	1600	1765	1385	1595	1730	1765
CDMS27	16	1-1/4	27-5/8	0.131" x 2.5"	10	820	945	1030	1315	955	1100	1195	1530	1035	1190	1290	1655
				0.148" x 1.5"		1030	1185	1290	1650	1200	1375	1495	1765	1300	1490	1620	1765
				0.148" x 3.0"		1030	1185	1290	1650	1200	1375	1495	1765	1300	1490	1620	1765
				0.162" x 3.5"		1220	1405	1525	1765	1420	1635	1765	1765	1540	1765	1765	1765
CDMS30	16	1-1/4	30-5/8	0.131" x 2.5"	11	905	1040	1130	1445	1050	1210	1315	1680	1135	1305	1420	1765
				0.148" x 1.5"		1135	1305	1415	1765	1320	1515	1645	1765	1425	1640	1765	1765
				0.148" x 3.0"		1135	1305	1415	1765	1320	1515	1645	1765	1425	1640	1765	1765
				0.162" x 3.5"		1345	1545	1680	1765	1565	1765	1765	1765	1695	1765	1765	1765
CDMS33	16	1-1/4	33-5/8	0.131" x 2.5"	12	985	1135	1235	1580	1145	1320	1430	1765	1240	1425	1550	1765
				0.148" x 1.5"		1235	1420	1545	1765	1435	1655	1765	1765	1555	1765	1765	1765
				0.148" x 3.0"		1235	1420	1545	1765	1435	1655	1765	1765	1555	1765	1765	1765
				0.162" x 3.5"		1465	1685	1765	1765	1705	1765	1765	1765	1765	1765	1765	1765
CDMS36	16	1-1/4	36-5/8	0.131" x 2.5"	13	1070	1230	1335	1710	1240	1425	1550	1765	1345	1545	1680	1765
				0.148" x 1.5"		1340	1540	1675	1765	1555	1765	1765	1765	1685	1765	1765	1765
				0.148" x 3.0"		1340	1540	1675	1765	1555	1765	1765	1765	1685	1765	1765	1765
				0.162" x 3.5"		1590	1765	1765	1765	1765	1765	1765	1765	1765	1765	1765	1765
CDMS39	16	1-1/4	39-5/8	0.131" x 2.5"	14	1150	1325	1440	1765	1335	1535	1670	1765	1445	1665	1765	1765
				0.148" x 1.5"		1445	1660	1765	1765	1675	1765	1765	1765	1765	1765	1765	1765
				0.148" x 3.0"		1445	1660	1765	1765	1675	1765	1765	1765	1765	1765	1765	1765
				0.162" x 3.5"		1710	1765	1765	1765	1765	1765	1765	1765	1765	1765	1765	1765

**Notes:**

1 Allowable Load Capacities based on the Tabulated Species and Load Duration Factor.



## Rolled Straps

Manufactured to resist tension load when attached to solid sawn or structural composite lumber metal plate connected trusses, framing members and wall members. ClarkDietrich Rolled Strapping (CDRS) are 1-1/4" wide with holes punched at 1-1/4" on center, in a staggered pattern. Strapping is manufactured in continuous rolls of 250 feet for 20 gauge, 200 feet for 18 gauge and 150 feet for 16 gauge.

### MATERIAL SPECIFICATIONS

#### CDRS150

**Gauge:** 16ga (54mil)

**Design Thickness:** 0.0566 inches

**Coating:** G90 (Z275) hot-dipped galvanized coating

**Yield Strength:** Structural Grade 50 Type H (ST50H), 50ksi (340 MPa)

#### CDRS200

**Gauge:** 18ga (43mil)

**Design Thickness:** 0.0451 inches

**Coating:** G90 (Z275) hot-dipped galvanized coating

**Yield Strength:** Structural Grade 50 Type H (ST50H), 50ksi (340 MPa)

#### CDRS250

**Gauge:** 20ga (33mil)

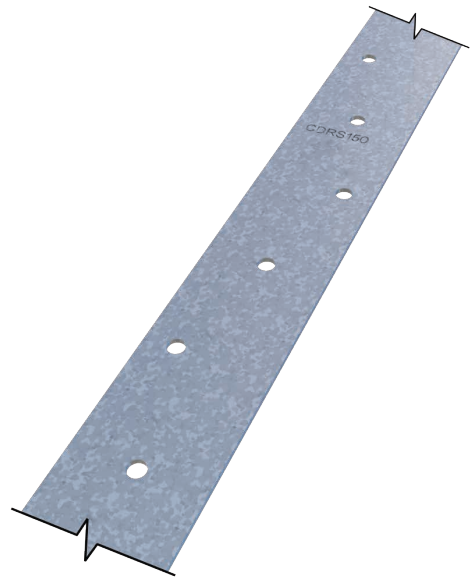
**Design Thickness:** 0.0346 inches

**Coating:** G90 (Z275) hot-dipped galvanized coating

**Yield Strength:** Structural Grade 50 Type H (ST50H), 50ksi (340 MPa)

### CODE REPORT

- IAPMO ER-0176



### Rolled Straps (CDRS)

Product Code	Width (in)	Length (ft)
CDRS150	1-1/4	150
CDRS200	1-1/4	200
CDRS250	1-1/4	250



Rolled Strap Installation

## Rolled Straps (CDRS150)

Product Code	Strap Dimensions (in)		Fasteners (Quantity at Each End)		Allowable Upward Loads (lbs)											
	Width	Min. Length	Size	Quantity	Spruce Pine-Fir (0.42 Specific Gravity)				Douglas Fir-Larch (0.50 Specific Gravity)				Southern Pine (0.55 Specific Gravity)			
					Load Duration Factor				Load Duration Factor				Load Duration Factor			
					1.00	1.15	1.25	1.60	1.00	1.15	1.25	1.60	1.00	1.15	1.25	1.60
CDRS150	1-1/4	6-1/4	0.131" x 1.5"	2	215	250	270	345	200	230	250	320	170	200	215	275
			0.148" x 1.5"		260	300	325	415	240	275	300	385	205	235	260	330
			0.162" x 2.5"		310	355	385	495	285	325	355	455	245	280	305	390
	1-1/4	8-3/4	0.131" x 1.5"	3	325	375	405	520	300	345	375	480	260	295	320	415
			0.148" x 1.5"		390	450	485	625	360	415	450	575	310	355	385	495
			0.162" x 2.5"		460	530	575	740	425	490	535	680	365	420	460	585
	1-1/4	11-1/4	0.131" x 1.5"	4	430	495	540	690	400	460	500	640	345	395	430	550
			0.148" x 1.5"		520	595	650	830	480	550	600	765	410	475	515	660
			0.162" x 2.5"		615	710	770	985	570	655	710	910	490	560	610	780
	1-1/4	13-3/4	0.131" x 1.5"	5	540	620	675	865	500	575	625	800	430	495	535	690
			0.148" x 1.5"		650	745	810	1040	600	690	750	960	515	595	645	825
			0.162" x 2.5"		770	885	960	1230	710	815	890	1135	610	700	765	975
	1-1/4	16-1/4	0.131" x 1.5"	6	650	745	810	1040	600	690	750	960	515	595	645	825
			0.148" x 1.5"		780	895	975	1245	720	825	900	1150	620	710	775	990
			0.162" x 2.5"		925	1060	1155	1480	850	980	1065	1365	735	845	915	1175
	1-1/4	18-3/4	0.131" x 1.5"	7	755	870	945	1210	700	805	875	1120	600	690	750	965
			0.148" x 1.5"		910	1045	1135	1455	840	965	1050	1340	720	830	900	1155
			0.162" x 2.5"		1080	1240	1345	1725	995	1145	1245	1590	855	985	1070	1370
	1-1/4	21-1/4	0.131" x 1.5"	8	865	995	1080	1385	800	920	1000	1280	690	790	860	1100
			0.148" x 1.5"		1040	1195	1300	1660	960	1100	1200	1535	825	950	1030	1320
			0.162" x 2.5"		1230	1415	1540	1970	1135	1305	1420	1820	975	1125	1220	1565
	1-1/4	23-3/4	0.131" x 1.5"	9	975	1120	1215	1555	900	1035	1125	1440	775	890	965	1240
			0.148" x 1.5"		1170	1345	1460	1870	1080	1240	1350	1725	925	1065	1160	1485
			0.162" x 2.5"		1385	1595	1730	1970	1280	1470	1600	1970	1100	1265	1375	1760
	1-1/4	26-1/4	0.131" x 1.5"	10	1080	1245	1350	1730	1000	1150	1250	1595	860	990	1075	1375
			0.148" x 1.5"		1300	1490	1620	1970	1200	1375	1495	1915	1030	1185	1290	1650
			0.162" x 2.5"		1540	1770	1925	1970	1420	1635	1775	1970	1220	1405	1525	1955
	1-1/4	28-3/4	0.131" x 1.5"	11	1190	1370	1485	1905	1100	1265	1375	1755	945	1085	1180	1515
			0.148" x 1.5"		1425	1640	1785	1970	1320	1515	1645	1970	1135	1305	1415	1815
			0.162" x 2.5"		1695	1950	1970	1970	1565	1795	1955	1970	1345	1545	1680	1970
	1-1/4	31-1/4	0.131" x 1.5"	12	1295	1490	1620	1970	1200	1380	1500	1915	1030	1185	1290	1650
			0.148" x 1.5"		1555	1790	1945	1970	1435	1655	1795	1970	1235	1420	1545	1970
			0.162" x 2.5"		1850	1970	1970	1970	1705	1960	1970	1970	1465	1685	1830	1970
	1-1/4	33-3/4	0.131" x 1.5"	13	1405	1615	1755	1970	1300	1495	1620	1970	1115	1285	1395	1790
			0.148" x 1.5"		1685	1940	1970	1970	1555	1790	1945	1970	1340	1540	1675	1970
			0.162" x 2.5"		1970	1970	1970	1970	1845	1970	1970	1970	1590	1825	1970	1970
	1-1/4	36-1/4	0.131" x 1.5"	14	1515	1740	1890	1970	1400	1605	1745	1970	1205	1385	1505	1925
			0.148" x 1.5"		1815	1970	1970	1970	1675	1930	1970	1970	1445	1660	1805	1970
			0.162" x 2.5"		1970	1970	1970	1970	1970	1970	1970	1970	1710	1965	1970	1970
	1-1/4	38-3/4	0.131" x 1.5"	15	1620	1865	1970	1970	1500	1720	1870	1970	1290	1485	1610	1970
			0.148" x 1.5"		1945	1970	1970	1970	1795	1970	1970	1970	1545	1780	1930	1970
			0.162" x 2.5"		1970	1970	1970	1970	1970	1970	1970	1970	1830	1970	1970	1970
	1-1/4	41-1/4	0.131" x 1.5"	16	1730	1970	1970	1970	1595	1835	1970	1970	1375	1580	1720	1970
			0.148" x 1.5"		1970	1970	1970	1970	1915	1970	1970	1970	1650	1895	1970	1970
			0.162" x 2.5"		1970	1970	1970	1970	1970	1970	1970	1970	1955	1970	1970	1970
	1-1/4	43-3/4	0.131" x 1.5"	17	1840	1970	1970	1970	1695	1950	1970	1970	1460	1680	1825	1970
			0.148" x 1.5"		1970	1970	1970	1970	1970	1970	1970	1970	1750	1970	1970	1970
			0.162" x 2.5"		1970	1970	1970	1970	1970	1970	1970	1970	1970	1970	1970	1970
	1-1/4	46-1/4	0.131" x 1.5"	18	1945	1970	1970	1970	1795	1970	1970	1970	1545	1780	1935	1970
			0.148" x 1.5"		1970	1970	1970	1970	1970	1970	1970	1970	1855	1970	1970	1970
			0.162" x 2.5"		1970	1970	1970	1970	1970	1970	1970	1970	1970	1970	1970	1970
	1-1/4	48-3/4	0.131" x 1.5"	19	1970	1970	1970	1970	1895	1970	1970	1970	1635	1880	1970	1970
			0.148" x 1.5"		1970	1970	1970	1970	1970	1970	1970	1970	1960	1970	1970	1970
			0.162" x 2.5"		1970	1970	1970	1970	1970	1970	1970	1970	1970	1970	1970	1970

**Notes:**

- 1 Allowable Load Capacities are based on the Tabulated Species and Load Duration Factor.
- 2 Products shown in table are made of No. 16 gauge steel.
- 3 Overall length of rolled strap is 150 feet.

**Rolled Straps**

**Rolled Straps (CDRS200)**

Product Code	Strap Dimensions (in)		Fasteners (Quantity at Each End)		Allowable Upward Loads (lbs)											
	Width	Min. Length	Size	Quantity	Spruce Pine-Fir (0.42 Specific Gravity)				Douglas Fir-Larch (0.50 Specific Gravity)				Southern Pine (0.55 Specific Gravity)			
					Load Duration Factor				Load Duration Factor				Load Duration Factor			
					1.00	1.15	1.25	1.60	1.00	1.15	1.25	1.60	1.00	1.15	1.25	1.60
CDRS200	1-1/4	6-1/4	0.131" x 1.5"	2	210	245	265	340	195	225	245	310	165	190	210	270
			0.148" x 1.5"		255	290	320	405	235	270	295	375	200	230	250	320
			0.162" x 2.5"		305	350	380	485	280	320	350	445	240	275	300	385
	1-1/4	8-3/4	0.131" x 1.5"	3	315	365	395	505	290	335	365	465	250	290	315	400
			0.148" x 1.5"		380	440	475	610	350	405	440	560	300	345	375	485
			0.162" x 2.5"		455	520	570	725	420	480	525	670	360	415	450	575
	1-1/4	11-1/4	0.131" x 1.5"	4	420	485	525	675	390	450	485	625	335	385	420	535
			0.148" x 1.5"		510	585	635	815	470	540	585	750	405	465	505	645
			0.162" x 2.5"		605	695	755	970	560	640	700	895	480	550	600	765
	1-1/4	13-3/4	0.131" x 1.5"	5	525	605	660	845	485	560	610	780	420	480	525	670
			0.148" x 1.5"		635	730	795	1015	585	675	730	935	505	580	630	805
			0.162" x 2.5"		755	870	945	1210	700	805	870	1115	600	690	750	960
	1-1/4	16-1/4	0.131" x 1.5"	6	635	730	790	1015	585	670	730	935	500	575	625	805
			0.148" x 1.5"		760	875	955	1220	705	810	880	1125	605	695	755	965
			0.162" x 2.5"		910	1045	1135	1455	835	965	1045	1340	720	825	900	1150
	1-1/4	18-3/4	0.131" x 1.5"	7	740	850	925	1180	680	785	850	1090	585	675	730	935
			0.148" x 1.5"		890	1025	1110	1425	820	945	1025	1310	705	810	880	1125
			0.162" x 2.5"		1060	1220	1325	1570	975	1125	1220	1565	840	965	1050	1340
	1-1/4	21-1/4	0.131" x 1.5"	8	845	970	1055	1350	780	895	975	1245	670	770	835	1070
			0.148" x 1.5"		1015	1170	1270	1570	935	1080	1170	1500	805	925	1005	1290
			0.162" x 2.5"		1210	1395	1515	1570	1115	1285	1395	1570	960	1100	1200	1535
	1-1/4	23-3/4	0.131" x 1.5"	9	950	1090	1185	1520	875	1005	1095	1400	755	865	940	1205
			0.148" x 1.5"		1145	1315	1430	1570	1055	1215	1320	1570	905	1040	1130	1450
			0.162" x 2.5"		1365	1565	1570	1570	1255	1445	1570	1570	1080	1240	1350	1570
	1-1/4	26-1/4	0.131" x 1.5"	10	1055	1215	1320	1570	975	1120	1215	1555	835	960	1045	1340
			0.148" x 1.5"		1270	1460	1570	1570	1170	1350	1465	1570	1005	1155	1260	1570
			0.162" x 2.5"		1515	1570	1570	1570	1395	1570	1570	1570	1200	1380	1495	1570
	1-1/4	28-3/4	0.131" x 1.5"	11	1160	1335	1450	1570	1070	1230	1340	1570	920	1060	1150	1470
			0.148" x 1.5"		1400	1570	1570	1570	1290	1480	1570	1570	1105	1275	1385	1570
			0.162" x 2.5"		1570	1570	1570	1570	1535	1570	1570	1570	1320	1515	1570	1570
	1-1/4	31-1/4	0.131" x 1.5"	12	1265	1455	1570	1570	1170	1345	1460	1570	1005	1155	1255	1570
			0.148" x 1.5"		1525	1570	1570	1570	1405	1570	1570	1570	1210	1390	1510	1570
			0.162" x 2.5"		1570	1570	1570	1570	1570	1570	1570	1570	1440	1570	1570	1570
	1-1/4	33-3/4	0.131" x 1.5"	13	1370	1570	1570	1570	1265	1455	1570	1570	1085	1250	1360	1570
			0.148" x 1.5"		1570	1570	1570	1570	1525	1570	1570	1570	1310	1505	1570	1570
			0.162" x 2.5"		1570	1570	1570	1570	1570	1570	1570	1570	1555	1570	1570	1570
	1-1/4	36-1/4	0.131" x 1.5"	14	1475	1570	1570	1570	1360	1565	1570	1570	1170	1345	1465	1570
			0.148" x 1.5"		1570	1570	1570	1570	1570	1570	1570	1570	1410	1570	1570	1570
			0.162" x 2.5"		1570	1570	1570	1570	1570	1570	1570	1570	1570	1570	1570	1570
	1-1/4	38-3/4	0.131" x 1.5"	15	1570	1570	1570	1570	1460	1570	1570	1570	1255	1440	1570	1570
			0.148" x 1.5"		1570	1570	1570	1570	1570	1570	1570	1570	1510	1570	1570	1570
			0.162" x 2.5"		1570	1570	1570	1570	1570	1570	1570	1570	1570	1570	1570	1570
	1-1/4	41-1/4	0.131" x 1.5"	16	1570	1570	1570	1570	1555	1570	1570	1570	1340	1540	1570	1570
			0.148" x 1.5"		1570	1570	1570	1570	1570	1570	1570	1570	1570	1570	1570	1570
			0.162" x 2.5"		1570	1570	1570	1570	1570	1570	1570	1570	1570	1570	1570	1570

**Notes:**

- 1 Allowable Load Capacities are based on the Tabulated Species and Load Duration Factor.
- 2 Products shown in table are made of No. 18 gauge steel.
- 3 Overall length of rolled strap is 200 feet.

## Rolled Straps (CDRS250)

Product Code	Strap Dimensions (in)		Fasteners (Quantity at Each End)		Allowable Upward Loads (lbs)											
					Spruce Pine-Fir (0.42 Specific Gravity)				Douglas Fir-Larch (0.50 Specific Gravity)				Southern Pine (0.55 Specific Gravity)			
	Width	Min. Length	Size	Quantity	Load Duration Factor				Load Duration Factor				Load Duration Factor			
					1.00	1.15	1.25	1.60	1.00	1.15	1.25	1.60	1.00	1.15	1.25	1.60
CDRS250	1-1/4	6-1/4	0.131" x 1.5"	2	205	235	255	325	190	215	235	300	160	185	200	260
			0.148" x 1.5"		245	285	310	395	225	260	285	365	195	225	245	310
			0.162" x 2.5"		295	340	370	470	270	315	340	435	235	270	290	375
	1-1/4	8-3/4	0.131" x 1.5"	3	305	350	380	490	280	325	350	450	240	280	300	385
			0.148" x 1.5"		370	425	460	590	340	390	425	545	295	335	365	470
			0.162" x 2.5"		440	510	555	710	410	470	510	655	350	400	435	560
	1-1/4	11-1/4	0.131" x 1.5"	4	405	470	510	650	375	430	470	600	325	370	405	515
			0.148" x 1.5"		495	565	615	790	455	520	570	725	390	450	490	625
			0.162" x 2.5"		590	680	735	935	545	625	680	835	465	535	585	745
	1-1/4	13-3/4	0.131" x 1.5"	5	510	585	635	815	470	540	585	750	405	465	505	645
			0.148" x 1.5"		615	710	770	935	570	655	710	835	490	560	610	780
			0.162" x 2.5"		735	835	835	1035	680	780	835	835	585	670	730	835
	1-1/4	16-1/4	0.131" x 1.5"	6	610	700	765	935	565	650	705	835	485	555	605	775
			0.148" x 1.5"		740	835	835	1035	680	785	835	835	585	675	730	835
			0.162" x 2.5"		835	835	835	1035	815	835	835	835	700	805	835	835
	1-1/4	18-3/4	0.131" x 1.5"	7	710	820	835	1035	655	755	820	835	565	650	705	835
			0.148" x 1.5"		835	835	835	1035	795	835	835	835	685	785	835	835
			0.162" x 2.5"		835	835	835	1035	835	835	835	835	815	835	835	835
	1-1/4	21-1/4	0.131" x 1.5"	8	815	835	835	1035	750	835	835	835	645	740	805	835
			0.148" x 1.5"		835	835	835	1035	835	835	835	835	780	835	835	835
			0.162" x 2.5"		835	835	835	1035	835	835	835	835	835	835	835	835
	1-1/4	23-3/4	0.131" x 1.5"	9	835	835	835	1035	835	835	835	835	725	835	835	835
			0.148" x 1.5"		835	835	835	1035	835	835	835	835	835	835	835	835
			0.162" x 2.5"		835	835	835	1035	835	835	835	835	835	835	835	835
	1-1/4	26-1/4	0.131" x 1.5"	10	835	835	835	1035	835	835	835	835	805	835	835	835
			0.148" x 1.5"		835	835	835	1035	835	835	835	835	835	835	835	835
			0.162" x 2.5"		835	835	835	1035	835	835	835	835	835	835	835	835
	1-1/4	28-3/4	0.131" x 1.5"	11	835	835	835	1035	835	835	835	835	835	835	835	835
			0.148" x 1.5"		835	835	835	1035	835	835	835	835	835	835	835	835
			0.162" x 2.5"		835	835	835	1035	835	835	835	835	835	835	835	835
	1-1/4	31-1/4	0.131" x 1.5"	12	835	835	835	1035	835	835	835	835	835	835	835	835
			0.148" x 1.5"		835	835	835	1035	835	835	835	835	835	835	835	835
			0.162" x 2.5"		835	835	835	1035	835	835	835	835	835	835	835	835

**Notes:**

- 1 Allowable Load Capacities are based on the Tabulated Species and Load Duration Factor.
- 2 Products shown in table are made of No. 20 gauge steel.
- 3 Overall length of rolled strap is 250 feet.



**PAGE 33    FENCE BRACKETS (CDFB)**

## Fence Brackets

Provides a secure fit for the connection of 2 x 4 fence boards to post. Easier to plan and build, holes are sized to #6 wood screws or 8d nails.

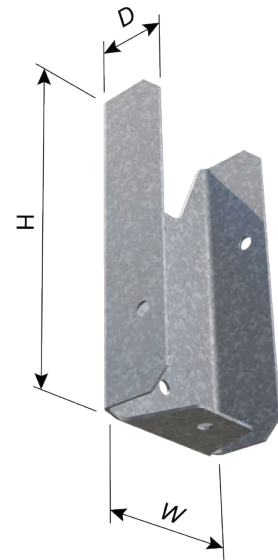
### MATERIAL SPECIFICATIONS

**Gauge:** 20ga (33mil)

**Design Thickness:** 0.0346 inches

**Coating:** G185 (Z550) hot-dipped galvanized coating

**Yield Strength:** Structural Grade 50 Type H (ST50H), 50ksi (340 MPa)



### Fence Brackets (CDFB24G)

Product Code	Gauge	D	W	H
CDFB24G	20	3/4"	1-5/8"	3-3/8"



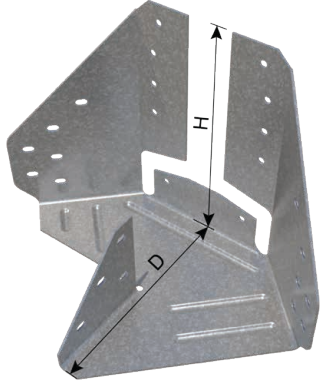
CDFB24G Installation

**Hangers**

<b>PAGE 35</b>	<b>LIGHT TRUSS END/HIP JACK HANGER (CDLEHJ)</b>
<b>PAGE 36</b>	<b>PURLIN HANGERS (CDPHD)</b>
<b>PAGE 37</b>	<b>HEAVY DUTY JOIST AND TRUSS HANGERS (CDAGUS)</b>
<b>PAGES 38-40</b>	<b>LIGHT DUTY FACE-MOUNT HANGERS (CDLTH)</b>
<b>PAGES 41-45</b>	<b>DOUBLE SHEAR FACE-MOUNT HANGERS (CDLDS)</b>
<b>PAGES 46-49</b>	<b>DOUBLE SHEAR FACE-MOUNT HANGERS (CDMDS)</b>
<b>PAGES 50-53</b>	<b>ADJUSTABLE STRAP HANGERS (CDSTH/CDSTHI)</b>

Light Truss End/Hip Jack Hanger

The CDLEHJ accommodates an end jack and a right or left hip jack. Made from high strength steel, this hanger offers a high load capacity while requiring only half as many fasteners in the header. It is designed to be installed with the same length fastener in all members (10d x 1-1/2") unlike competitive products which require 3" fasteners in the header to achieve the stated loads.



MATERIAL SPECIFICATIONS

- Gauge: 18ga (43mil)
- Design Thickness: 0.0451 inches
- Coating: G90 (Z275) hot-dipped galvanized coating
- Yield Strength: Structural Grade 50 Type H (ST50H), 50ksi (340 MPa)

CODE REPORT

- ICC-ES ESR-5062



CDLEHJ Installation

Light Truss End/Hip Jack Hanger (CDLEHJ)

Product Code	Min. Supporting Member	Min. Supported End and Hip Jack Height (in)	Overall Dimensions (in)			Common Nail Type Fasteners			
			Width (W)	Height (H)	Depth (D)	Size	End Jack Qty.	Hip Jack Qty.	Header Qty.
CDLEHJ	2 x 6	3.50	7.76	5.25	4.875	10d x 1.5	4	6	10

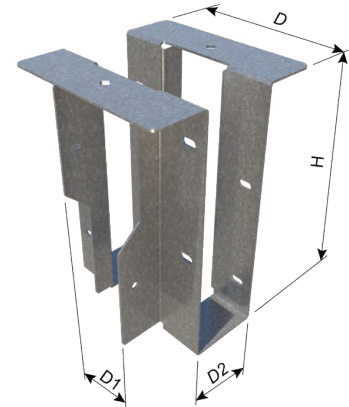
Species	Allowable Downward Loads (lbs)									Allowable Uplift Loads (lbs)		
	End Jack			Hip Jack			Total			End Jack	Hip Jack	Total
	C <sub>D</sub> = 1.00	C <sub>D</sub> = 1.15	C <sub>D</sub> = 1.25	C <sub>D</sub> = 1.00	C <sub>D</sub> = 1.15	C <sub>D</sub> = 1.25	C <sub>D</sub> = 1.00	C <sub>D</sub> = 1.15	C <sub>D</sub> = 1.25	C <sub>D</sub> = 1.60	C <sub>D</sub> = 1.60	C <sub>D</sub> = 1.60
Spruce Pine-Fir (0.42 Specific Gravity)	335	335	335	895	895	895	1005	1155	1230	95	360	455
Douglas Fir-Larch (0.50 Specific Gravity)	335	335	335	895	895	895	1170	1230	1230	95	360	455
Southern Pine (0.55 Specific Gravity)	335	335	335	895	895	895	1230	1230	1230	95	360	455

Notes:

- For SI: 1 inch = 25.4 mm, 1 pound (lb) = 4.45 N
- 1 See image for hanger dimensions.
- 2 Refer to Section 3.2.3 of ESR-5062 for nail sizes and the required minimum physical properties.
- 3 The tabulated allowable loads have been adjusted for the load duration factors, C<sub>D</sub>, as shown, in accordance with the NDS. The tabulated allowable loads do not apply to loads of other load durations, and are not allowed to be adjusted for other load durations. See Section 4.1 and 4.2 of ESR-5062 for additional design and installation requirements.
- 4 The tabulated allowable loads are for installations on wood members complying with Section 3.2.1 of the ESR-5062 report. Wood members must also have a reference compressive perpendicular to grain design value, F<sub>c-perp</sub>, respectively for the wood species noted in the table.
- 5 The tabulated allowable uplift loads have been increased for wind and seismic loading with no further increase is allowed. The tabulated allowable uplift loads must be reduced when other load duration govern.

## Purlin Hangers

Designed specifically for agricultural and post-frame use with superior performance and easy installation. All of the hangers offer multiple installation methods, giving users maximum flexibility. Double-shear and straight nailing options available. Placement tooth or placement nail options for simplified installation.



### MATERIAL SPECIFICATIONS

- Gauge:** 18ga (43mil)
- Design Thickness:** 0.0451 inches
- Coating:** G90 (Z275) hot-dipped galvanized coating
- Yield Strength:** Structural Grade 50 Type H (ST50H), 50ksi (340 MPa)

### PRODUCT DIMENSIONS

- D1:** 1-3/4"
- D2:** 1-9/16"
- H:** 1-9/16"
- D:** 1-9/16"

### INSTALLATION

- Use all specified fasteners indicated in the table.
- 3" nails must be driven at a 45 degree angle through the purlin into the header. Combine with top and face nails to achieve the table loads.
- 1-1/2" nails must be driven into the purlin at 90 degrees. Combine with top and face nails to achieve the table loads.



CDPHD Installation

## Purlin Hangers (CDPHD)

ASTM D7147 > 2015 Codes																					
Product Code	Overall Dimensions (in)		Load Type	Nailing Schedule	Common Nail Type Fasteners			Allowable Loads (lbs)													
	Header Top Flange				Size	Joist Qty.	Header Qty.	Spruce Pine-Fir (0.42 Specific Gravity)				Douglas Fir-Larch (0.50 Specific Gravity)				Southern Pine (0.55 Specific Gravity)					
	TFW	TFB						1.00	1.15	1.25	1.60	1.00	1.15	1.25	1.60	1.00	1.15	1.25	1.60		
CDPHD26	1	1-9/16 (3-1/4) [1-13/16]	Downward	Standard	2-10dx1.5"	2-10dx1.5"	4-10dx1.5"	515	515	515	515	680	680	680	680	780	780	780	780		
				Enhanced	2-10dx1.5"	2-10dx1.5"	4-10d	825	825	825	825	1055	1055	1055	1055	1195	1195	1195	1195		
			Uplift	Standard	2-10dx1.5"	2-10dx1.5"	4-10dx1.5"	200	230	230	230	235	265	265	265	255	290	290	290		
				Enhanced	2-10dx1.5"	2-10dx1.5"	4-10d	470	470	470	470	545	545	545	545	585	585	585	585		

ASTM D1761 < 2015 Codes																					
Product Code	Overall Dimensions (in)		Load Type	Nailing Schedule	Common Nail Type Fasteners			Allowable Loads (lbs)													
	Header Top Flange				Size	Joist Qty.	Header Qty.	Spruce Pine-Fir (0.42 Specific Gravity)				Douglas Fir-Larch (0.50 Specific Gravity)				Southern Pine (0.55 Specific Gravity)					
	TFW	TFB						1.00	1.15	1.25	1.60	1.00	1.15	1.25	1.60	1.00	1.15	1.25	1.60		
CDPHD26	1	1-9/16 (3-1/4) [1-13/16]	Downward	Standard	2-10dx1.5"	2-10dx1.5"	4-10dx1.5"	545	545	545	545	715	715	715	715	810	810	810	810		
				Enhanced	2-10dx1.5"	2-10dx1.5"	4-10d	890	890	890	890	1145	1145	1145	1145	1220	1305	1305	1305		
			Uplift	Standard	2-10dx1.5"	2-10dx1.5"	4-10dx1.5"	200	235	255	270	235	270	295	315	255	295	320	335		
				Enhanced	2-10dx1.5"	2-10dx1.5"	4-10d	490	565	570	570	565	650	660	660	610	705	710	710		

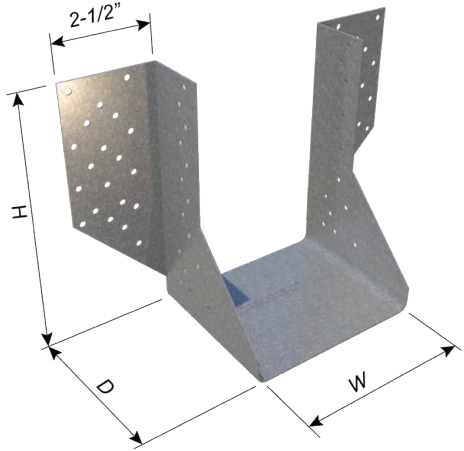
**Notes:**

- Nails: 10dx1.5" = 0.148"x1.5" nails driven at 90 degree and 10d = 0.148"x3.0" nails driven at 45 degree (see Double shear nailing view).
- Tabulated allowable load capacities shall be selected based on duration of load as permitted by the applicable building code.



Heavy Duty Joist and Truss Hangers

CDAGUS universal face-mount hanger is designed for wood plate trusses and heavily loaded members. 4" seat dimension provides greatest bearing area of any hanger available. Super capacity design loads are the highest of any universal face-mounted hanger. Larger header flange and joist seat make this hanger very easy to install with common nails.



MATERIAL SPECIFICATIONS

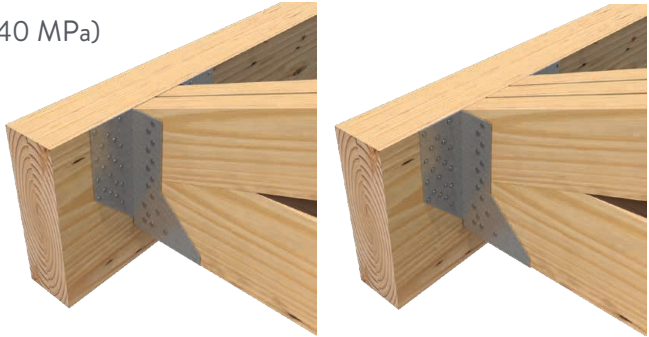
- Gauge: 12ga (97mil)
- Design Thickness: 0.1017 inches
- Coating: G90 (Z275) hot-dipped galvanized coating
- Yield Strength: Structural Grade 50 Type H (ST50H), 50ksi (340 MPa)

PRODUCT DIMENSIONS

JOIST AND TRUSS SIZES: 2xs, double 2xs, triple 2xs

CODE REPORT

- ICC-ES ESR-5062



CDAGUS28-2T Installation

CDAGUS28-3T Installation

Heavy Duty Joist and Truss Hangers (CDAGUS)

Spruce Pine-Fir (0.42 Specific Gravity)													
Product Code	Gauge	Hanger Dimensions <sup>1</sup> (in)			Fasteners <sup>2</sup>				Allowable Load <sup>3,4,5</sup> (lbs)				
		Width, W	Height, H	Depth, D	Joist		Header		Download			Uplift	
					Size	Qty.	Size	Qty.	C <sub>D</sub> = 1.00	C <sub>D</sub> = 1.15	C <sub>D</sub> = 1.25		C <sub>D</sub> = 1.60
CDAGUS26-2T	12	3-7/16	3-7/16	4-1/4	10d Comm	24	16d Comm	30	3845	3845	3845	2165	
CDAGUS28-2T	12	3-7/16	6-15/16	4-1/4	10d Comm	30	16d Comm	30	5250	5660	5660	2530	
CDAGUS28-3T	12	5	6-15/16	4-1/4	10d Comm	30	16d Comm	40	5250	5660	5660	2530	

Douglas Fir-Larch (0.50 Specific Gravity)													
Product Code	Gauge	Hanger Dimensions <sup>1</sup> (in)			Fasteners <sup>2</sup>				Allowable Load <sup>3,4,5</sup> (lbs)				
		Width, W	Height, H	Depth, D	Joist		Header		Download			Uplift	
					Size	Qty.	Size	Qty.	C <sub>D</sub> = 1.00	C <sub>D</sub> = 1.15	C <sub>D</sub> = 1.25		C <sub>D</sub> = 1.60
CDAGUS26-2T	12	3-7/16	3-7/16	4-1/4	10d Comm	24	16d Comm	30	4255	4255	4255	2165	
CDAGUS28-2T	12	3-7/16	6-15/16	4-1/4	10d Comm	30	16d Comm	30	5660	5660	5660	2530	
CDAGUS28-3T	12	5	6-15/16	4-1/4	10d Comm	30	16d Comm	40	5660	5660	5660	2530	

Southern Pine (0.55 Specific Gravity)													
Product Code	Gauge	Hanger Dimensions <sup>1</sup> (in)			Fasteners <sup>2</sup>				Allowable Load <sup>3,4,5</sup> (lbs)				
		Width, W	Height, H	Depth, D	Joist		Header		Download			Uplift	
					Size	Qty.	Size	Qty.	C <sub>D</sub> = 1.00	C <sub>D</sub> = 1.15	C <sub>D</sub> = 1.25		C <sub>D</sub> = 1.60
CDAGUS26-2T	12	3-7/16	3-7/16	4-1/4	10d Comm	24	16d Comm	30	4680	4680	4680	2285	
CDAGUS28-2T	12	3-7/16	6-15/16	4-1/4	10d Comm	30	16d Comm	30	5765	5765	5765	2730	
CDAGUS28-3T	12	5	6-15/16	4-1/4	10d Comm	30	16d Comm	40	5765	5765	5765	2730	

**Notes:**  
 For SI: 1 inch = 25.4 mm, 1 pound (lb) = 4.45 N  
 1 See images for hanger dimension definitions of W, H, and D.  
 2 Refer to Section 3.2.3 of ESR-5062 for nail sizes and the required minimum physical properties.  
 3 The tabulated allowable loads have been adjusted for the load duration factors, C<sub>D</sub>, as shown, in accordance with the NDS. The tabulated allowable loads do not apply to loads of other load durations, and are not allowed to be adjusted for other load durations. See Section 4.1 and 4.2 of ESR-5062 for additional design and installation requirements.

- Notes (con't):**
- 4 The tabulated allowable loads are for installations on wood members complying with Section 3.2.1 of the ESR-5062 report. Wood members must also have a reference compressive perpendicular to grain design value, F<sub>c</sub>-perp, respectively for the wood species noted in the table.
  - 5 The tabulated allowable uplift loads have been increased for wind and seismic loading with no further increase is allowed. The tabulated allowable uplift loads must be reduced when other load duration govern.
  - 6 CDAGUS hangers have a torsional moment capacity rating of 75 pounds (334 N) times the depth of the joist at which the lateral movement of either the top or bottom of the joist with respect to the original vertical position of the joist is 0.125 inch (3.2mm).

## Light Duty Face-Mount Hangers

CDLTH's combine greater strength with maximum economy. Prongs secure CDLTH hangers to header for fast, easy nailing. Economical price and ease-of-use make these an ideal hanger for the do-it-yourself market.

### MATERIAL SPECIFICATIONS

**Gauge:** 20ga (33mil)

**Design Thickness:** 0.0346 inches

**Coating:** G90 (Z275) hot-dipped galvanized coating

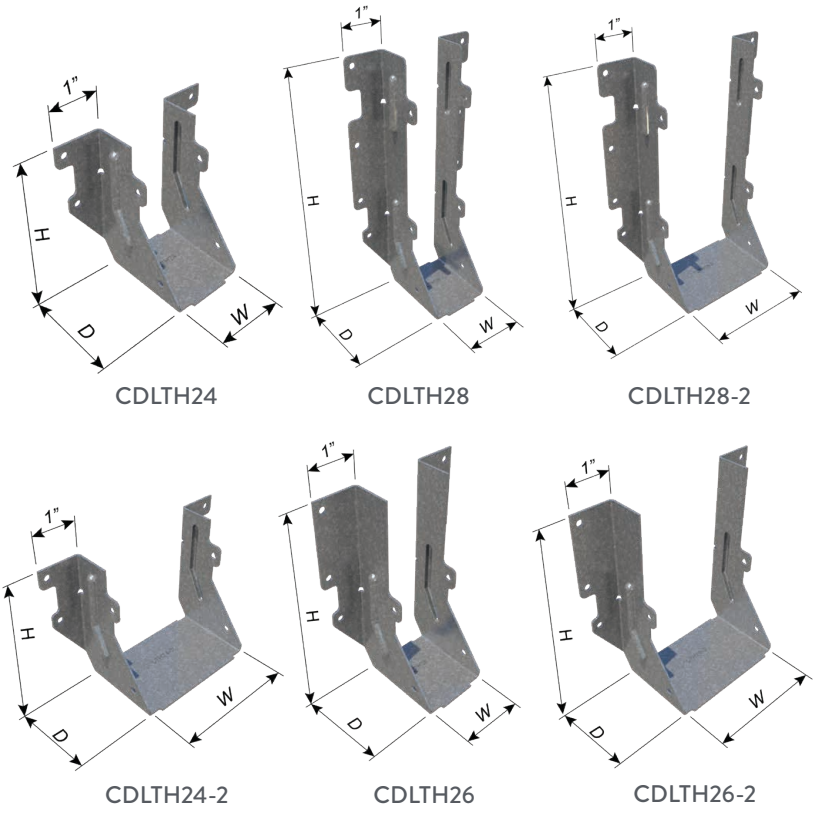
**Yield Strength:** Structural Grade 50 Type H (ST50H), 50ksi (340 MPa)

### PRODUCT DIMENSIONS

**JOIST SIZES:** Singles and Doubles, 2x4, 2x6, 2x8

### CODE REPORT

- ICC-ES ESR-5062 (Excluding CDLTH24-2 & CDLTH26-2)



## Light Duty Face-Mount Hangers (CDLTH)

Spruce Pine-Fir (0.42 Specific Gravity)

Product Code	Fastening	Total Supported Breadth (in)	Gauge	Hanger Dimension (in)			Common Nail Type Fasteners				Allowable Downward Loads (lbs)			
				Clear Width	Overall Height	Overall Depth	Joist Size	Joist Qty.	Header Size	Header Qty.		Load Duration Factor, C <sub>D</sub>		
										@ 90 deg	@ 45 deg	1.00	1.15	1.25
CDLTH24	Standard	1.50	20	1-9/16	3-3/16	2-1/4	10d x 1.5"	2	10d x 1.5"	4	0	285	285	285
	Enhanced Joist									4	0	285	285	285
	Enhanced Header									2	2	415	415	415
	Enhanced Joist and Header									4	2	415	415	415
CDLTH26	Standard	1.50	20	1-9/16	4-3/4	2-1/4	10d x 1.5"	2	10d x 1.5"	6	0	465	465	465
	Enhanced Joist									4	0	465	465	465
	Enhanced Header									2	2	670	670	670
	Enhanced Joist and Header									4	2	670	670	670
CDLTH28	Standard	1.50	20	1-9/16	6-11/16	2-1/4	10d x 1.5"	2	10d x 1.5"	8	0	795	910	930
	Enhanced Joist									6	0	795	910	930
	Enhanced Header									2	4	830	830	830
	Enhanced Joist and Header									6	4	830	830	830
CDLTH28-2	Standard	3.00	20	3-1/8	6-11/16	2-1/4	10d x 1.5"	2	10d x 1.5"	8	0	795	910	990
	Enhanced Joist									6	0	795	910	990
	Enhanced Header									2	4	995	995	995
	Enhanced Joist and Header									6	4	995	995	995

### Notes:

For SI: 1 inch = 25.4 mm, 1 pound (lb) = 4.45 N

- 1 See images for hanger dimensions.
- 2 Refer to Section 3.2.3 of ESR-5062 for nail sizes and the required minimum physical properties.
- 3 The tabulated allowable loads have been adjusted for the load duration factors, C<sub>D</sub>, as shown, in accordance with the NDS. The tabulated allowable loads do not apply to loads of other load durations, and are not allowed to be adjusted for other load durations. See Sections 4.1 and 4.2 of ESR-5062 for additional design and installation requirements.
- 4 The tabulated allowable loads are for installations on wood members complying with Section 3.2.1 of the ESR-5062 report. Wood members must also have a reference compressive perpendicular to grain design value, F<sub>c-perp</sub>, respectively for the wood species noted in the table.

## Light Duty Face-Mount Hangers (CDLTH)

Douglas Fir-Larch (0.50 Specific Gravity)														
Product Code	Fastening	Total Supported Breadth (in)	Gauge	Hanger Dimension (in)			Common Nail Type Fasteners					Allowable Downward Loads (lbs)		
				Clear Width	Overall Height	Overall Depth	Joist Size	Joist Qty.	Header Size	Header Qty.		Load Duration Factor, C <sub>D</sub>		
										@ 90 deg	@ 45 deg	1.00	1.15	1.25
CDLTH24	Standard	1.50	20	1-9/16	3-3/16	2-1/4	10d x 1.5"	2	10d x 1.5"	4	0	460	490	490
	Enhanced Joist									4	0	460	490	490
	Enhanced Header									4	2	605	605	605
	Enhanced Joist and Header									4	2	605	605	605
CDLTH26	Standard	1.50	20	1-9/16	4-3/4	2-1/4	10d x 1.5"	2	10d x 1.5"	6	0	695	760	760
	Enhanced Joist									4	0	695	760	760
	Enhanced Header									4	2	900	900	900
	Enhanced Joist and Header									4	2	900	900	900
CDLTH28	Standard	1.50	20	1-9/16	6-11/16	2-1/4	10d x 1.5"	2	10d x 1.5"	8	0	925	985	985
	Enhanced Joist									6	0	925	985	985
	Enhanced Header									2	4	1035	1035	1035
	Enhanced Joist and Header									6	4	1035	1035	1035
CDLTH28-2	Standard	3.00	20	3-1/8	6-11/16	2-1/4	10d x 1.5"	2	10d x 1.5"	8	0	925	985	985
	Enhanced Joist									6	0	925	985	985
	Enhanced Header									2	4	985	985	985
	Enhanced Joist and Header									6	4	985	985	985

Southern Pine (0.55 Specific Gravity)														
Product Code	Fastening	Total Supported Breadth (in)	Gauge	Hanger Dimension (in)			Common Nail Type Fasteners					Allowable Downward Loads (lbs)		
				Clear Width	Overall Height	Overall Depth	Joist Size	Joist Qty.	Header Size	Header Qty.		Load Duration Factor, C <sub>D</sub>		
										@ 90 deg	@ 45 deg	1.00	1.15	1.25
CDLTH24	Standard	1.50	20	1-9/16	3-3/16	2-1/4	10d x 1.5"	2	10d x 1.5"	4	0	460	490	490
	Enhanced Joist									4	0	460	490	490
	Enhanced Header									2	4	605	605	605
	Enhanced Joist and Header									4	2	605	605	605
CDLTH26	Standard	1.50	20	1-9/16	4-3/4	2-1/4	10d x 1.5"	2	10d x 1.5"	6	0	695	760	760
	Enhanced Joist									4	0	695	760	760
	Enhanced Header									2	2	900	900	900
	Enhanced Joist and Header									4	2	900	900	900
CDLTH28	Standard	1.50	20	1-9/16	6-11/16	2-1/4	10d x 1.5"	2	10d x 1.5"	8	0	925	985	985
	Enhanced Joist									6	0	925	985	985
	Enhanced Header									2	4	1035	1035	1035
	Enhanced Joist and Header									6	4	1035	1035	1035
CDLTH28-2	Standard	3.00	20	3-1/8	6-11/16	2-1/4	10d x 1.5"	2	10d x 1.5"	8	0	925	985	985
	Enhanced Joist									6	0	925	985	985
	Enhanced Header									2	4	985	985	985
	Enhanced Joist and Header									6	4	985	985	985

**Notes:**

For SI: 1 inch = 25.4 mm, 1 pound (lb) = 4.45 N

- 1 See images for hanger dimensions.
- 2 Refer to Section 3.2.3 of ESR-5062 for nail sizes and the required minimum physical properties.
- 3 The tabulated allowable loads have been adjusted for the load duration factors, C<sub>D</sub>, as shown, in accordance with the NDS. The tabulated allowable loads do not apply to loads of other load durations, and are not allowed to be adjusted for other load durations. See Sections 4.1 and 4.2 of ESR-5062 for additional design and installation requirements.
- 4 The tabulated allowable loads are for installations on wood members complying with Section 3.2.1 of the ESR-5062 report. Wood members must also have a reference compressive perpendicular to grain design value, F<sub>c</sub>-perp, respectively for the wood species noted in the table.

### Light Duty Face-Mount Hangers



CDLTH 24  
Unenhanced Fastening



CDLTH 24  
Enhanced Joist Fastening



CDLTH 24  
Enhanced Header Fastening



CDLTH 24  
Enhanced Joist & Header Fastening



CDLTH 26  
Unenhanced Fastening



CDLTH 26  
Enhanced Joist Fastening



CDLTH 26  
Enhanced Header Fastening



CDLTH 26  
Enhanced Joist & Header Fastening



CDLTH 28  
Unenhanced Fastening



CDLTH 28  
Enhanced Joist Fastening



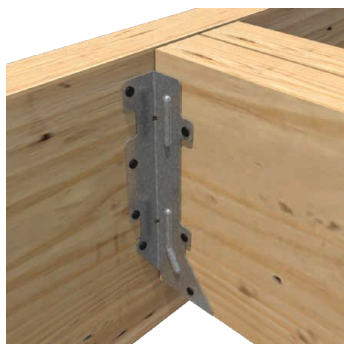
CDLTH 28  
Enhanced Header Fastening



CDLTH 28  
Enhanced Joist & Header Fastening



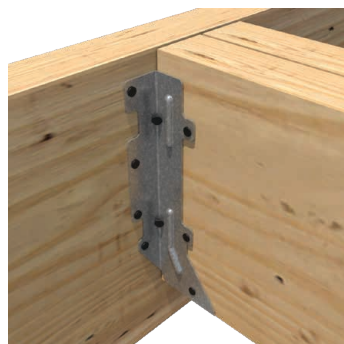
CDLTH 28-2  
Unenhanced Fastening



CDLTH 28-2  
Enhanced Joist Fastening



CDLTH 28-2  
Enhanced Header Fastening



CDLTH 28-2  
Enhanced Joist & Header Fastening



Double Shear Face-Mount Hangers

CDLDS Series

Double shear nailing distributes loads at two points across the joist nails, reducing the number of nails and enabling quicker installation. CDLDS utilizes a placement tooth to ease installation. Use the enhanced nailing schedule for greater load carrying capacities.

**MATERIAL SPECIFICATIONS**

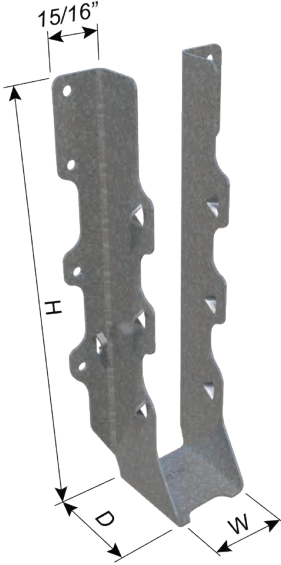
- Gauge:** 18ga (43mil)
- Design Thickness:** 0.0451 inches
- Coating:** G90 (Z275) hot-dipped galvanized coating
- Yield Strength:** Structural Grade 50 Type H (ST50H), 50ksi (340 MPa)

**CODE REPORT**

- ICC-ES ESR-5062

**INSTALLATION**

- Use all specified fasteners.
- Joist nails must be driven at an angle in the joist or truss to achieve the published loads.
- Not designed for welded applications



CDLDS210



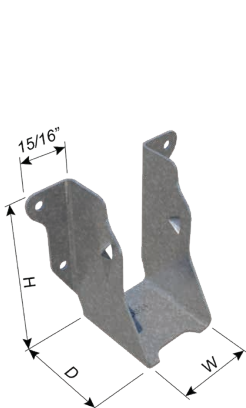
CDLDS210 Installation



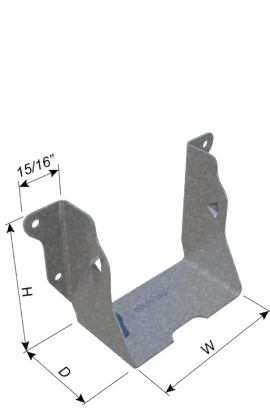
CDLDS210-2 Installation



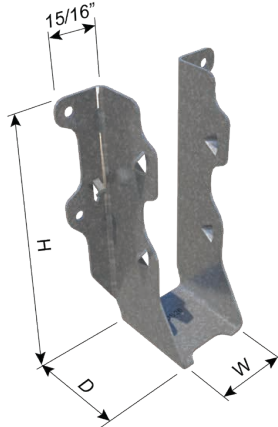
CDLDS210-3 Installation



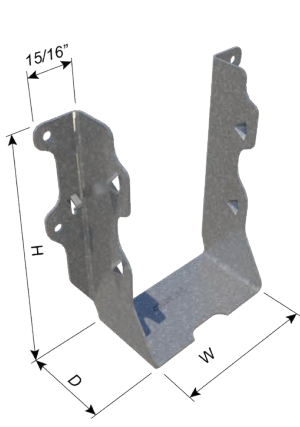
CDLDS24



CDLDS24-2



CDLDS26

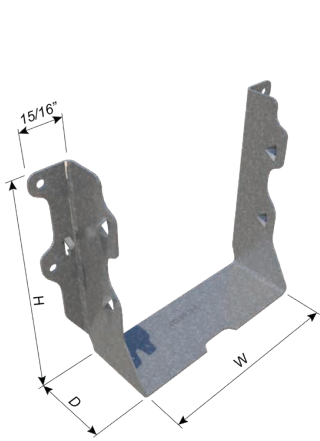


CDLDS26-2

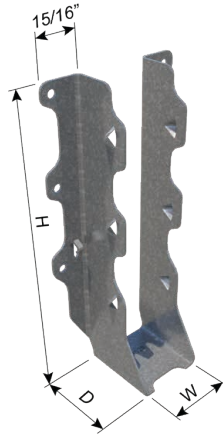


Double Shear Face-Mount Hangers

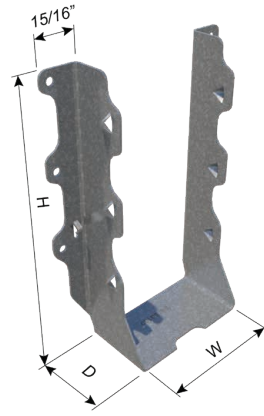
CDLDS Series



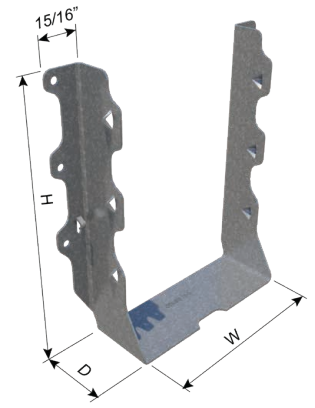
CDLDS26-3



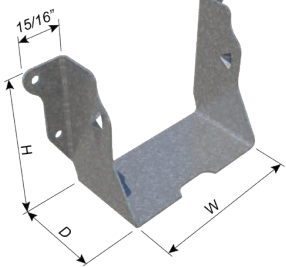
CDLDS28



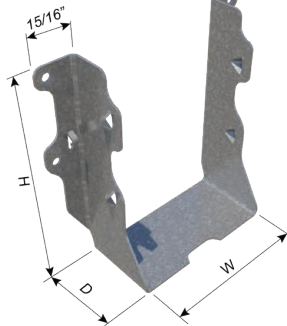
CDLDS28-2



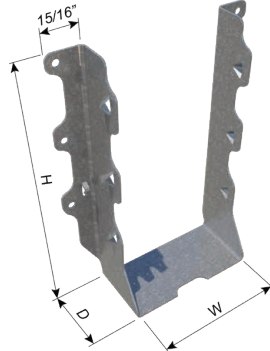
CDLDS28-3



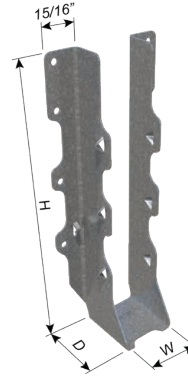
CDLDS44



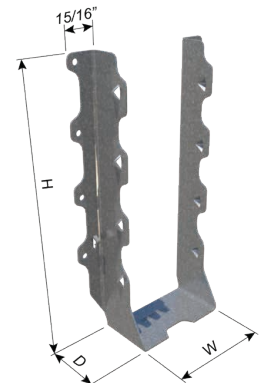
CDLDS46



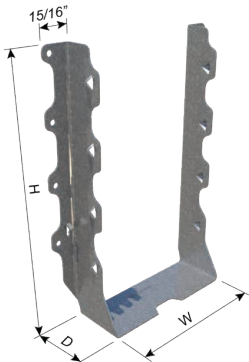
CDLDS48



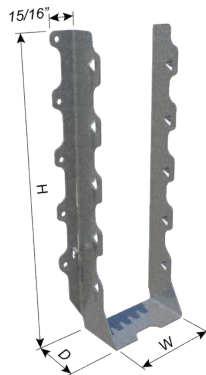
CDLDS210



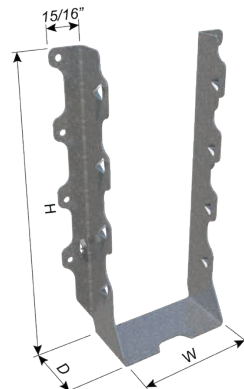
CDLDS210-2



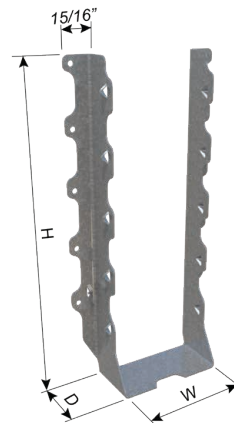
CDLDS210-3



CDLDS212-2



CDLDS410



CDLDS412

Double Shear Face-Mount Hangers (CDLDS)													
Spruce-Pine-Fir (0.42 Specific Gravity)													
Product code	Fastening	Total Supported Breadth (in)	Gauge	Hanger Dimension (in)			Type	Nails		Allowable Load (lbs)			
				Clear Seat Width, W	Overall Height, H	Overall Depth, D		Quantity		Download			Uplift
								Joist	Header	C <sub>D</sub> = 1.00	C <sub>D</sub> = 1.15	C <sub>D</sub> = 1.25	
CDLDS24	Standard	1.5	18	1-9/16	3-3/32	1-15/16	10d Comm	2	4	600	690	755	455
CDLDS26	Standard	1.5	18	1-9/16	5-1/32	1-15/16	10d Comm	4	4	800	920	1000	885
CDLDS28	Standard	1.5	18	1-9/16	6-31/32	1-15/16	10d Comm	4	6	1005	1155	1255	800
	Enhanced							6	6	1205	1385	1505	1180
CDLDS210	Standard	1.5	18	1-9/16	8-5/32	1-15/16	10d Comm	4	8	1205	1385	1450	775
	Enhanced							6	8	1405	1615	1755	1055
CDLDS24-2	Standard	3	18	3-1/4	3-3/32	1-15/16	10d Comm	2	4	600	690	755	455
							16d Comm	2	4	720	825	855	455
CDLDS26-2	Standard	3	18	3-1/4	5-1/32	1-15/16	10d Comm	4	4	800	920	1000	885
							16d Comm	4	4	960	1100	1195	885
CDLDS28-2	Standard	3	18	3-1/4	6-31/32	1-15/16	10d Comm	4	6	1005	1155	1255	800
							16d Comm	4	6	1195	1375	1495	1105
	Enhanced	3	18	3-1/4	6-15/16	1-15/16	10d Comm	6	6	1205	1385	1505	1180
							16d Comm	6	6	1435	1650	1740	1180
CDLDS210-2	Standard	3	18	3-1/4	8-7/8	1-15/16	16d Comm	6	8	1675	1840	1840	1325
	Enhanced							8	8	1915	2200	2355	2240
CDLDS212-2	Standard	3	18	3-1/4	10-13/16	1-15/16	16d Comm	6	10	1915	2205	2395	1240
								10	10	2395	2755	2990	2445
CDLDS44	Standard	3.5	18	3-9/16	3-3/32	1-15/16	10d Comm	2	4	600	690	755	455
							16d Comm	2	4	720	825	855	455
CDLDS46	Standard	3.5	18	3-9/16	5-1/32	1-15/16	10d Comm	4	4	800	920	1000	885
							16d Comm	4	4	960	1100	1195	885
CDLDS48	Standard	3.5	18	3-9/16	6-15/16	1-15/16	10d Comm	4	6	1005	1155	1255	800
							16d Comm	4	6	1195	1375	1495	1105
	Enhanced	3.5	18	3-9/16	6-31/32	1-15/16	10d Comm	6	6	1205	1385	1505	1180
							16d Comm	6	6	1435	1650	1740	1180
CDLDS410	Standard	3.5	18	3-9/16	8-7/8	1-15/16	16d Comm	6	8	1675	1840	1840	1325
	Enhanced							8	8	1915	2200	2355	2240
CDLDS412	Standard	3.5	18	3-9/16	10-13/16	1-15/16	16d Comm	6	10	1915	2205	2395	1240
	Enhanced							10	10	2395	2755	2990	2445
CDLDS26-3	Standard	4.5	18	4-7/8	5-1/32	1-15/16	10d Comm	4	4	800	920	1000	885
							16d Comm	4	4	960	1100	1195	885
CDLDS28-3	Standard	4.5	18	4-7/8	6-31/32	1-15/16	10d Comm	4	6	1005	1155	1255	800
							16d Comm	4	6	1195	1375	1495	1105
	Enhanced	4.5	18	4-7/8	6-15/16	1-15/16	10d Comm	6	6	1205	1385	1505	1180
							16d Comm	6	6	1435	1650	1740	1180
CDLDS210-3	Standard	4.5	18	4-7/8	8-7/8	1-15/16	16d Comm	6	8	1675	1840	1840	1325
	Enhanced							8	8	1915	2200	2355	2240

**Notes:**

For SI: 1 inch = 25.4 mm, 1 pound (lb) = 4.45 N

- 1 See images for hanger dimension definitions of W, H, and D.
- 2 Refer to Section 3.2.3 of ESR-5062 for nail sizes and the required minimum physical properties.
- 3 The tabulated allowable loads have been adjusted for the load duration factors, C<sub>D</sub>, as shown, in accordance with the NDS. The tabulated allowable loads do not apply to loads of other load durations, and are not allowed to be adjusted for other load durations. See Sections 4.1 and 4.2 of ESR-5062 for additional design and installation requirements.
- 4 The tabulated allowable loads are for installations on wood members complying with Section 3.2.1 of the ESR-5062 report. Wood members must also have a reference compressive perpendicular to grain design value, F<sub>c-perp</sub>, respectively for the wood species noted in the table.
- 5 The tabulated allowable uplift loads have been increased for wind and seismic loading with no further increase is allowed. The tabulated allowable uplift loads must be reduced when other load duration govern.
- 6 CDLDS hangers have a torsional moment capacity rating of 75 pounds (334 N) times the depth of the joist at which the lateral movement of either the top or bottom of the joist with respect to the original vertical position of the joist is 0.125 inch (3.2mm).

## Double Shear Face-Mount Hangers

## CDLDS Series

## Double Shear Face-Mount Hangers (CDLDS)

## Douglas Fir-Larch (0.50 Specific Gravity)

Product code	Fastening	Total Supported Breadth (in)	Gauge	Hanger Dimensions (in)			Type	Nails		Allowable Load (lbs)			
				Clear Seat Width, W	Overall Height, H	Overall Depth, D		Quantity		Download			Uplift
								Joist	Header	$C_D = 1.00$	$C_D = 1.15$	$C_D = 1.25$	
CDLDS24	Standard	1.5	18	1-9/16	3-3/32	1-15/16	10d Comm	2	4	705	810	880	540
CDLDS26	Standard	1.5	18	1-9/16	5-1/32	1-15/16	10d Comm	4	4	940	1080	1175	1055
CDLDS28	Standard	1.5	18	1-9/16	6-31/32	1-15/16	10d Comm	4	6	1175	1350	1465	950
	Enhanced							6	6	1410	1620	1760	1405
CDLDS210	Standard	1.5	18	1-9/16	8-5/32	1-15/16	10d Comm	4	8	1410	1620	1730	925
	Enhanced							6	8	1645	1890	2055	1260
CDLDS24-2	Standard	3	18	3-1/4	3-3/32	1-15/16	10d Comm	2	4	705	810	880	540
							16d Comm	2	4	840	965	1020	540
CDLDS26-2	Standard	3	18	3-1/4	5-1/32	1-15/16	10d Comm	4	4	940	1080	1175	1055
							16d Comm	4	4	1120	1290	1400	1055
CDLDS28-2	Standard	3	18	3-1/4	6-31/32	1-15/16	10d Comm	4	6	1175	1350	1465	950
							16d Comm	4	6	1405	1610	1750	1315
	Enhanced	3	18	3-1/4	6-15/16	1-15/16	10d Comm	6	6	1410	1620	1760	1405
							16d Comm	6	6	1685	1935	2075	1405
CDLDS210-2	Standard	3	18	3-1/4	8-7/8	1-15/16	16d Comm	6	8	1960	2190	2190	1575
	Enhanced							8	8	2245	2580	2805	2665
CDLDS212-2	Standard	3	18	3-1/4	10-13/16	1-15/16	16d Comm	6	10	2240	2575	2800	1475
	Enhanced							10	10	2805	3225	3505	2910
CDLDS44	Standard	3.5	18	3-9/16	3-3/32	1-15/16	10d Comm	2	4	705	810	880	540
							16d Comm	2	4	840	965	1020	540
CDLDS46	Standard	3.5	18	3-9/16	5-1/32	1-15/16	10d Comm	4	4	940	1080	1175	1055
							16d Comm	4	4	1120	1290	1400	1055
							10d Comm	4	6	1175	1350	1465	950
CDLDS48	Standard	3.5	18	3-9/16	6-15/16	1-15/16	16d Comm	4	6	1400	1610	1750	1315
							10d Comm	6	6	1410	1620	1760	1405
	Enhanced	3.5	18	3-9/16	6-31/32	1-15/16	16d Comm	6	6	1685	1935	2075	1405
							10d Comm	6	6	1685	1935	2075	1405
CDLDS410	Standard	3.5	18	3-9/16	8-7/8	1-15/16	16d Comm	6	8	1960	2190	2190	1575
	Enhanced							8	8	2245	2580	2805	2665
CDLDS412	Standard	3.5	18	3-9/16	10-13/16	1-15/16	16d Comm	6	10	2240	2575	2800	1475
	Enhanced							10	10	2805	3225	3505	2910
CDLDS26-3	Standard	4.5	18	4-7/8	5-1/32	1-15/16	10d Comm	4	4	940	1080	1175	1055
							16d Comm	4	4	1120	1290	1400	1055
CDLDS28-3	Standard	4.5	18	4-7/8	6-31/32	1-15/16	10d Comm	4	6	1175	1350	1465	950
							16d Comm	4	6	1400	1610	1750	1315
	Enhanced	4.5	18	4-7/8	6-15/16	1-15/16	10d Comm	6	6	1410	1620	1760	1405
							16d Comm	6	6	1685	1935	2075	1405
CDLDS210-3	Standard	4.5	18	4-7/8	8-7/8	1-15/16	16d Comm	6	8	1960	2190	2190	1575
	Enhanced							8	8	2245	2580	2805	2665

**Notes:**

For SI: 1 inch = 25.4 mm, 1 pound (lb) = 4.45 N

1 See images for hanger dimension definitions of W, H, and D.

2 Refer to Section 3.2.3 of ESR-5062 for nail sizes and the required minimum physical properties.

3 The tabulated allowable loads have been adjusted for the load duration factors,  $C_D$ , as shown, in accordance with the NDS. The tabulated allowable loads do not apply to loads of other load durations, and are not allowed to be adjusted for other load durations. See Sections 4.1 and 4.2 of ESR-5062 for additional design and installation requirements.

4 The tabulated allowable loads are for installations on wood members complying with Section 3.2.1 of the ESR-5062 report. Wood members must also have a reference compressive perpendicular to grain design value,  $F_c$ -perp, respectively for the wood species noted in the table.

5 The tabulated allowable uplift loads have been increased for wind and seismic loading with no further increase is allowed. The tabulated allowable uplift loads must be reduced when other load duration govern.

6 CDLDS hangers have a torsional moment capacity rating of 75 pounds (334 N) times the depth of the joist at which the lateral movement of either the top or bottom of the joist with respect to the original vertical position of the joist is 0.125 inch (3.2mm).

Double Shear Face-Mount Hangers (CDLDS)													
Southern Pine (0.55 Specific Gravity)													
Product code	Fastening	Total Supported Breadth (in)	Gauge	Hanger Dimensions (in)			Type	Nails		Allowable Load (lbs)			
				Clear Seat Width, W	Overall Height, H	Overall Depth, D		Quantity	Uplift	Download			
										Joist	Header	C <sub>D</sub> = 1.00	C <sub>D</sub> = 1.15
CDLDS24	Standard	1.5	18	1-9/16	3-3/32	1-15/16	10d Comm	2	4	765	880	955	595
CDLDS26	Standard	1.5	18	1-9/16	5-1/32	1-15/16	10d Comm	4	4	1020	1175	1280	1160
CDLDS28	Standard	1.5	18	1-9/16	6-31/32	1-15/16	10d Comm	4	6	1275	1470	1595	1045
	Enhanced							6	6	1535	1765	1915	1545
CDLDS210	Standard	1.5	18	1-9/16	8-5/32	1-15/16	10d Comm	4	8	1530	1760	1900	1015
	Enhanced							6	8	1785	2055	2235	1385
CDLDS24-2	Standard	3	18	3-1/4	3-3/32	1-15/16	10d Comm	2	4	765	880	955	595
							16d Comm	2	4	915	1050	1125	595
CDLDS26-2	Standard	3	18	3-1/4	5-1/32	1-15/16	10d Comm	4	4	1020	1175	1280	1160
							16d Comm	4	4	1220	1405	1525	1160
CDLDS28-2	Standard	3	18	3-1/4	6-31/32	1-15/16	10d Comm	4	6	1275	1470	1595	1045
							16d Comm	4	6	1525	1755	1905	1640
	Enhanced	3	18	3-1/4	6-15/16	1-15/16	10d Comm	6	6	1535	1765	1915	1545
							16d Comm	6	6	1830	2105	2280	1545
CDLDS210-2	Standard	3	18	3-1/4	8-7/8	1-15/16	16d Comm	6	8	2135	2410	2410	1730
	Enhanced							8	8	2445	2810	3055	2935
CDLDS212-2	Standard	3	18	3-1/4	10-13/16	1-15/16	16d Comm	6	10	2440	2805	3045	1625
	Enhanced							10	10	3055	3510	3815	3200
CDLDS44	Standard	3.5	18	3-9/16	3-3/32	1-15/16	10d Comm	2	4	765	880	955	595
							16d Comm	2	4	915	1050	1125	595
CDLDS46	Standard	3.5	18	3-9/16	5-1/32	1-15/16	10d Comm	4	4	1020	1175	1280	1160
							16d Comm	4	4	1220	1405	1525	1160
CDLDS48	Standard	3.5	18	3-9/16	6-15/16	1-15/16	10d Comm	4	6	1275	1470	1595	1045
							16d Comm	4	6	1525	1755	1905	1045
CDLDS48	Enhanced	3.5	18	3-9/16	6-31/32	1-15/16	10d Comm	6	6	1535	1765	1915	1545
							16d Comm	6	6	1830	2105	2280	1545
CDLDS410	Standard	3.5	18	3-9/16	8-7/8	1-15/16	16d Comm	6	8	2135	2410	2410	1730
	Enhanced							8	8	2445	2810	3055	2935
CDLDS412	Standard	3.5	18	3-9/16	10-13/16	1-15/16	16d Comm	6	10	2440	2805	3045	1625
	Enhanced							10	10	3055	3510	3815	3200
CDLDS26-3	Standard	4.5	18	4-7/8	5-1/32	1-15/16	10d Comm	4	4	1020	1175	1280	1160
							16d Comm	4	4	1220	1405	1525	1160
CDLDS28-3	Standard	4.5	18	4-7/8	6-31/32	1-15/16	10d Comm	4	6	1275	1470	1595	1045
							16d Comm	4	6	1525	1755	1905	1045
	Enhanced	4.5	18	4-7/8	6-15/16	1-15/16	10d Comm	6	6	1535	1765	1915	1545
							16d Comm	6	6	1830	2105	2280	1545
CDLDS210-3	Standard	4.5	18	4-7/8	8-7/8	1-15/16	16d Comm	6	8	2135	2410	2410	1730
	Enhanced							8	8	2445	2810	3055	2935

**Notes:**

For SI: 1 inch = 25.4 mm, 1 pound (lb) = 4.45 N

1 See images for hanger dimension definitions of W, H, and D.

2 Refer to Section 3.2.3 of ESR-5062 for nail sizes and the required minimum physical properties.

3 The tabulated allowable loads have been adjusted for the load duration factors, C<sub>D</sub>, as shown, in accordance with the NDS. The tabulated allowable loads do not apply to loads of other load durations, and are not allowed to be adjusted for other load durations. See Sections 4.1 and 4.2 of ESR-5062 for additional design and installation requirements.

4 The tabulated allowable loads are for installations on wood members complying with Section 3.2.1 of the ESR-5062 report. Wood members must also have a reference compressive perpendicular to grain design value, F<sub>c</sub>-perp, respectively for the wood species noted in the table.

5 The tabulated allowable uplift loads have been increased for wind and seismic loading with no further increase is allowed. The tabulated allowable uplift loads must be reduced when other load duration govern.

6 CDLDS hangers have a torsional moment capacity rating of 75 pounds (334 N) times the depth of the joist at which the lateral movement of either the top or bottom of the joist with respect to the original vertical position of the joist is 0.125 inch (3.2mm).

## Double Shear Face-Mount Hangers

CDMDS Series

Double shear nailing distributes loads at two points across the joist nails, reducing the number of nails and enabling quicker installation. Use the enhanced nailing schedule for greater load carrying capacities.

### MATERIAL SPECIFICATIONS

**Gauge:** 18ga (43mil)

**Gauge:** 16ga (54mil)

**Design Thickness:** 0.0451 inches

**Design Thickness:** 0.0566 inches

**Coating:** G90 (Z275) hot-dipped galvanized coating

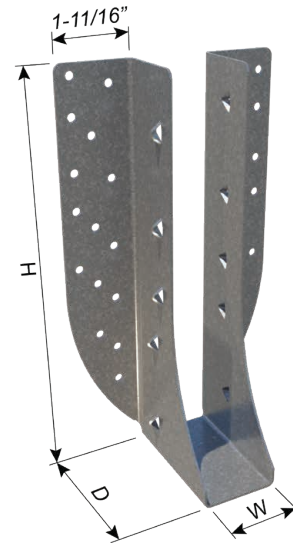
**Yield Strength:** Structural Grade 50 Type H (ST50H), 50ksi (340 MPa)

### CODE REPORT

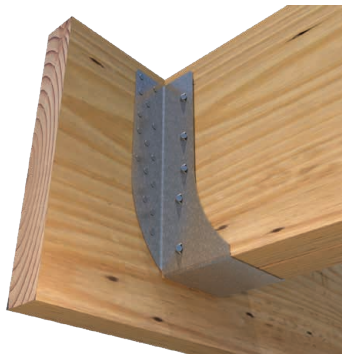
- ICC-ES ESR-5062

### INSTALLATION

- Use all specified fasteners.
- Joist nails must be driven at an angle in the joist or truss to achieve the published loads.
- Not designed for welded applications



CDMDS Installation



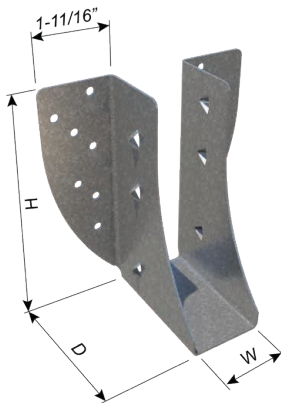
CDMDS-2 Installation



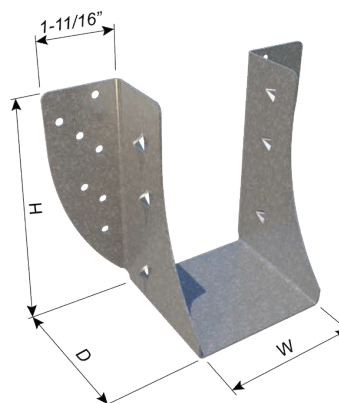
CDMDS-3 Installation



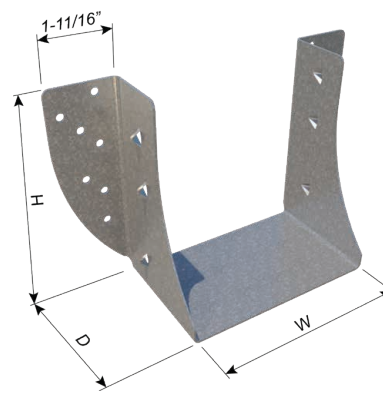
CDMDS-4 Installation



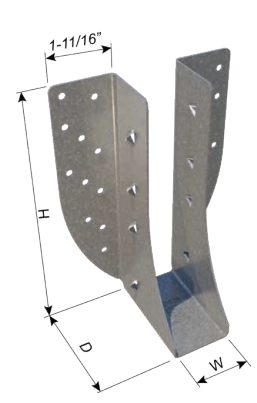
CDMDS26



CDMDS26-2

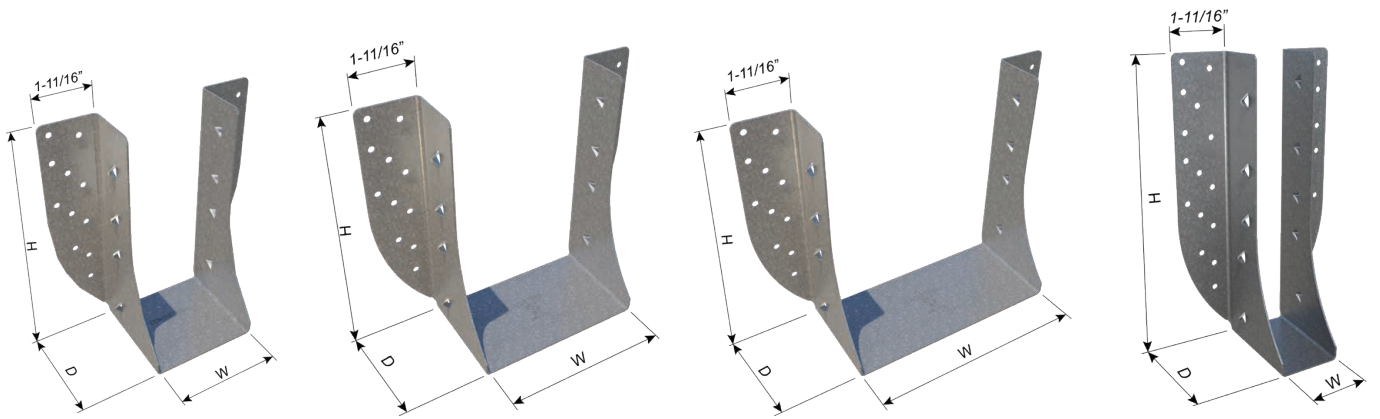


CDMDS26-3



CDMDS28



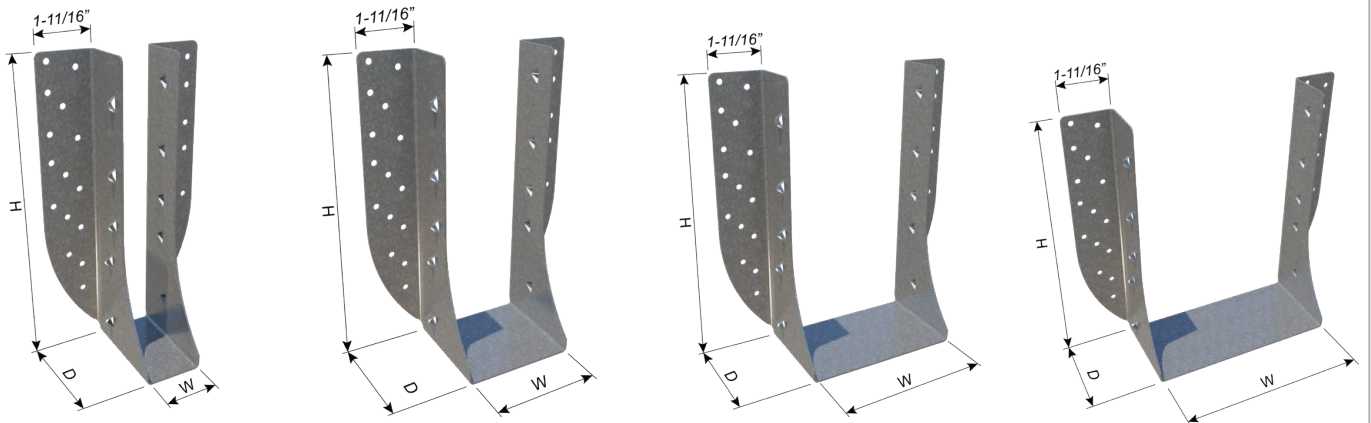


CDMDS28-2

CDMDS28-3

CDMDS28-4

CDMDS1.81/10

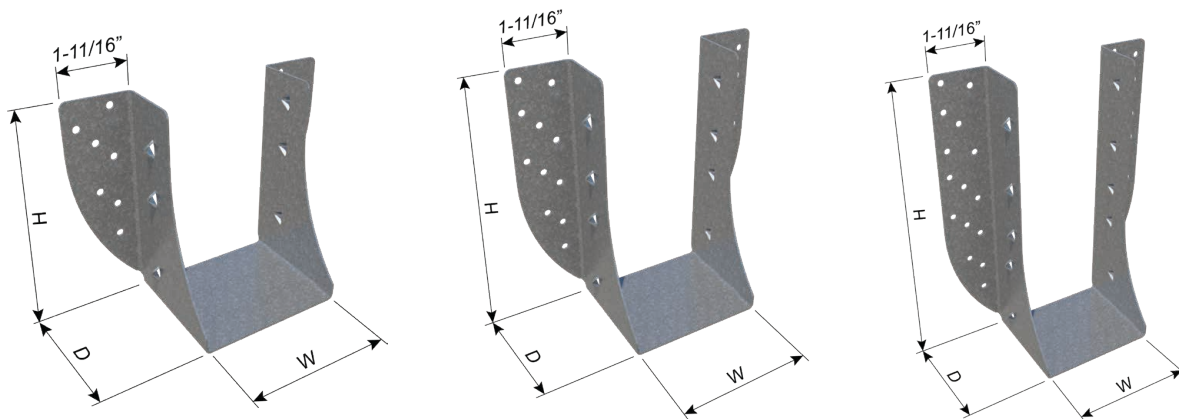


CDMDS210

CDMDS210-2

CDMDS210-3

CDMDS210-4



CDMDS46

CDMDS48

CDMDS410

## Double Shear Face-Mount Hangers

## CDMDS Series

## Double Shear Face-Mount Hangers (CDMDS)

## Spruce Pine-Fir (0.42 Specific Gravity)

Product code	Fastening	Total Supported Breadth (in)	Gauge	Hanger Dimensions (in)			Nails		Allowable Load (lbs)				
				Clear Seat Width, W	Overall Height, H	Overall Depth, D	Type	Quantity		Download			Uplift
								Joist	Header	C <sub>D</sub> = 1.00	C <sub>D</sub> = 1.15	C <sub>D</sub> = 1.25	
CDMDS26	Standard	1.5	18	1-5/8	5-11/64	3-5/32	16d Comm	6	14	2395	2560	2560	1310
CDMDS28	Standard	1.5	18	1-5/8	6-15/16	3-5/32	16d Comm	8	22	3505	3745	3905	2085
CDMDS210	Standard	1.5	18	1-5/8	8-13/16	3-5/32	16d Comm	10	30	3905	4205	4405	2970
CDMDS1.81/10	Standard	1.75	18	1-13/16	8-13/16	3-5/32	16d Comm	10	30	4225	4525	4665	2970
CDMDS26-2	Standard	3	16	3-1/4	5-3/16	3-3/16	16d Comm	6	14	2425	2790	3035	1295
CDMDS28-2	Standard	3	16	3-1/4	6-7/8	3-3/16	16d Comm	8	22	3645	4190	4555	2085
CDMDS210-2	Standard	3	16	3-1/4	8-13/16	3-3/16	16d Comm	10	30	4860	5590	6075	3105
CDMDS46	Standard	3.5	16	3-5/8	5-3/16	3-3/16	16d Comm	6	14	2425	2790	3035	1295
CDMDS48	Standard	3.5	16	3-5/8	6-7/8	3-3/16	16d Comm	8	22	3645	4190	4555	2085
CDMDS410	Standard	3.5	16	3-5/8	8-13/16	3-3/16	16d Comm	10	30	4860	5590	6075	3105
CDMDS26-3	Standard	4.5	16	4-7/8	5-3/16	3-3/16	16d Comm	6	14	2425	2790	3035	1295
CDMDS28-3	Standard	4.5	16	4-7/8	6-7/8	3-3/16	16d Comm	8	22	3645	4190	4555	2085
CDMDS210-3	Standard	4.5	16	4-7/8	8-13/16	3-3/16	16d Comm	10	30	4860	5590	6075	3105
CDMDS28-4	Standard	6	16	6-9/16	6-7/8	3-3/16	16d Comm	8	22	3645	4190	4555	2085
CDMDS210-4	Standard	6	16	6-9/16	8-13/16	3-3/16	16d Comm	10	30	4860	5590	6075	3105

## Douglas Fir-Larch (0.50 Specific Gravity)

Product code	Fastening	Total Supported Breadth (in)	Gauge	Hanger Dimensions (in)			Nails		Allowable Load (lbs)				
				Clear Seat Width, W	Overall Height, H	Overall Depth, D	Type	Quantity		Download			Uplift
								Joist	Header	C <sub>D</sub> = 1.00	C <sub>D</sub> = 1.15	C <sub>D</sub> = 1.25	
CDMDS26	Standard	1.5	18	1-5/8	5-11/64	3-5/32	16d Comm	6	14	2800	3045	3045	1560
CDMDS28	Standard	1.5	18	1-5/8	6-15/16	3-5/32	16d Comm	8	22	4200	4710	4710	2480
CDMDS210	Standard	1.5	18	1-5/8	8-13/16	3-5/32	16d Comm	10	30	5160	5515	5555	3540
CDMDS1.81/10	Standard	1.75	18	1-13/16	8-13/16	3-5/32	16d Comm	10	30	5555	5555	5555	3540
CDMDS26-2	Standard	3	16	3-1/4	5-3/16	3-3/16	16d Comm	6	14	2835	3260	3545	1545
CDMDS28-2	Standard	3	16	3-1/4	6-7/8	3-3/16	16d Comm	8	22	4255	4890	5315	2480
CDMDS210-2	Standard	3	16	3-1/4	8-13/16	3-3/16	16d Comm	10	30	5670	6520	7090	3695
CDMDS46	Standard	3.5	16	3-5/8	5-3/16	3-3/16	16d Comm	6	14	2835	3260	3545	1545
CDMDS48	Standard	3.5	16	3-5/8	6-7/8	3-3/16	16d Comm	8	22	4255	4890	5315	2480
CDMDS410	Standard	3.5	16	3-5/8	8-13/16	3-3/16	16d Comm	10	30	5670	6520	7090	3695
CDMDS26-3	Standard	4.5	16	4-7/8	5-3/16	3-3/16	16d Comm	6	14	2835	3260	3545	1545
CDMDS28-3	Standard	4.5	16	4-7/8	6-7/8	3-3/16	16d Comm	8	22	4255	4890	5315	2480
CDMDS210-3	Standard	4.5	16	4-7/8	8-13/16	3-3/16	16d Comm	10	30	5670	6520	7090	3695
CDMDS28-4	Standard	6	16	6-9/16	6-7/8	3-3/16	16d Comm	8	22	4255	4890	5315	2480
CDMDS210-4	Standard	6	16	6-9/16	8-13/16	3-3/16	16d Comm	10	30	5670	6520	7090	3695

## Notes:

For SI: 1 inch = 25.4 mm, 1 pound (lb) = 4.45 N

- 1 See images for hanger dimension definitions of W, H, and D.
- 2 Refer to Section 3.2.3 of ESR-5062 for nail sizes and the required minimum physical properties.
- 3 The tabulated allowable loads have been adjusted for the load duration factors, C<sub>D</sub>, as shown, in accordance with the NDS. The tabulated allowable loads do not apply to loads of other load durations, and are not allowed to be adjusted for other load durations. See Sections 4.1 and 4.2 of ESR-5062 for additional design and installation requirements.
- 4 The tabulated allowable loads are for installations on wood members complying with Section 3.2.1 of the ESR-5062 report. Wood members must also have a reference compressive perpendicular to grain design value, F<sub>c</sub>-perp, respectively for the wood species noted in the table.
- 5 The tabulated allowable uplift loads have been increased for wind and seismic loading with no further increase is allowed. The tabulated allowable uplift loads must be reduced when other load duration govern.
- 6 CDMDS hangers have a torsional moment capacity rating of 75 pounds (334 N) times the depth of the joist at which the lateral movement of either the top or bottom of the joist with respect to the original vertical position of the joist is 0.125 inch (3.2mm).

## Double Shear Face-Mount Hangers (CDMDS)

Southern Pine (0.55 Specific Gravity)													
Product code	Fastening	Total Supported Breadth (in)	Gauge	Hanger Dimensions (in)			Nails			Allowable Load (lbs)			
				Clear Seat Width, W	Overall Height, H	Overall Depth, D	Type	Quantity		Download			Uplift
								Joist	Header	C <sub>D</sub> = 1.00	C <sub>D</sub> = 1.15	C <sub>D</sub> = 1.25	
CDMDS26	Standard	1.5	18	1-5/8	5-11/64	3-5/32	16d Comm	6	14	3045	3350	3350	1715
CDMDS28	Standard	1.5	18	1-5/8	6-15/16	3-5/32	16d Comm	8	22	4210	4520	4725	2730
CDMDS210	Standard	1.5	18	1-5/8	8-13/16	3-5/32	16d Comm	10	30	4725	5110	5365	3890
CDMDS1.81/10	Standard	1.75	18	1-13/16	8-13/16	3-5/32	16d Comm	10	30	5085	5470	5725	3890
CDMDS26-2	Standard	3	16	3-1/4	5-3/16	3-3/16	16d Comm	6	14	3080	3540	3850	1700
CDMDS28-2	Standard	3	16	3-1/4	6-7/8	3-3/16	16d Comm	8	22	4620	5310	5775	2730
CDMDS210-2	Standard	3	16	3-1/4	8-13/16	3-3/16	16d Comm	10	30	6160	7080	7525	4065
CDMDS46	Standard	3.5	16	3-5/8	5-3/16	3-3/16	16d Comm	6	14	3080	3540	3850	1700
CDMDS48	Standard	3.5	16	3-5/8	6-7/8	3-3/16	16d Comm	8	22	4620	5310	5775	2730
CDMDS410	Standard	3.5	16	3-5/8	8-13/16	3-3/16	16d Comm	10	30	6160	7080	7700	4065
CDMDS26-3	Standard	4.5	16	4-7/8	5-3/16	3-3/16	16d Comm	6	14	3080	3540	3850	1700
CDMDS28-3	Standard	4.5	16	4-7/8	6-7/8	3-3/16	16d Comm	8	22	4620	5310	5775	2730
CDMDS210-3	Standard	4.5	16	4-7/8	8-13/16	3-3/16	16d Comm	10	30	6160	7080	7700	4065
CDMDS28-4	Standard	6	16	6-9/16	6-7/8	3-3/16	16d Comm	8	22	4620	5310	5775	2730
CDMDS210-4	Standard	6	16	6-9/16	8-13/16	3-3/16	16d Comm	10	30	6160	7080	7700	4065

### Notes:

For SI: 1 inch = 25.4 mm, 1 pound (lb) = 4.45 N

- 1 See images for hanger dimension definitions of W, H, and D.
- 2 Refer to Section 3.2.3 of ESR-5062 for nail sizes and the required minimum physical properties.
- 3 The tabulated allowable loads have been adjusted for the load duration factors, C<sub>D</sub>, as shown, in accordance with the NDS. The tabulated allowable loads do not apply to loads of other load durations, and are not allowed to be adjusted for other load durations. See Sections 4.1 and 4.2 of ESR-5062 for additional design and installation requirements.
- 4 The tabulated allowable loads are for installations on wood members complying with Section 3.2.1 of the ESR-5062 report. Wood members must also have a reference compressive perpendicular to grain design value, F<sub>c</sub>-perp, respectively for the wood species noted in the table.
- 5 The tabulated allowable uplift loads have been increased for wind and seismic loading with no further increase is allowed. The tabulated allowable uplift loads must be reduced when other load duration govern.
- 6 CDMDS hangers have a torsional moment capacity rating of 75 pounds (334 N) times the depth of the joist at which the lateral movement of either the top or bottom of the joist with respect to the original vertical position of the joist is 0.125 inch (3.2mm).

Adjustable Strap Hangers

CDSTH Series

Superior performance and easy installation. The hanger's long straps can be field formed to the required height of the carried member. Face mount nailing options available. Designed and developed for Component Manufacturers to have a wide range of use including:

- Ceiling hanger
- Face mount hanger
- Top flange hanger
- Top flange over-the-back hanger

Reverse flange options available on some products.

**MATERIAL SPECIFICATIONS**

**Gauge:** 18ga (43mil)

**Gauge:** 16ga (54mil)

**Design Thickness:** 0.0451 inches

**Design Thickness:** 0.0566 inches

**Coating:** G90 (Z275) hot-dipped galvanized coating

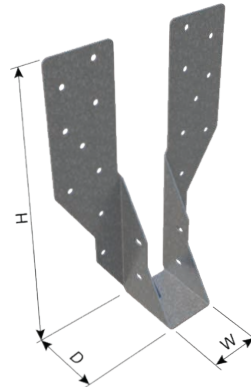
**Yield Strength:** Structural Grade 50 Type H (ST50H), 50ksi (340 MPa)

**CODE REPORT**

- ICC-ES ESR-5062

**INSTALLATION**

- Use all specified nails indicated in the table. Verify that the header dimensions will accommodate the specified nails.
- When less than the maximum number of nails are used, allowable load must be reduced for each nail eliminated.



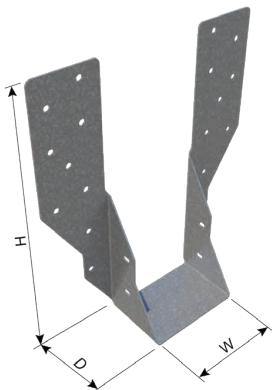
CDSTH29



CDSTH29  
Face Installation



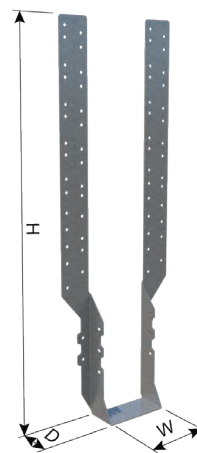
CDSTH29  
Top Installation



CDSTH29-2



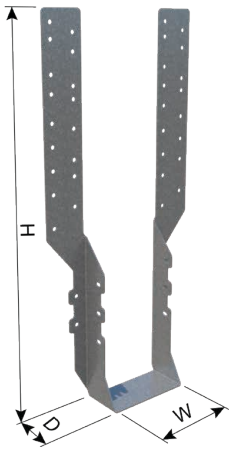
CDSTH29-2  
Face Installation



CDSTH422



CDSTH422  
Top Installation



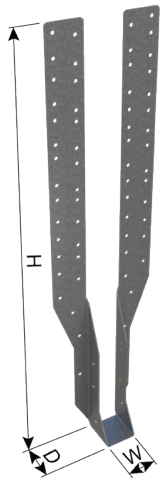
CDSTH418



CDSTH418  
Face Installation



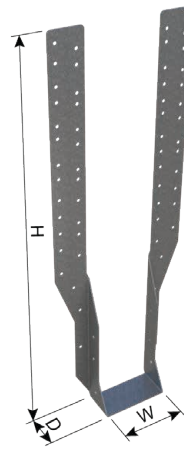
CDSTH418  
Top Installation



CDSTHI222



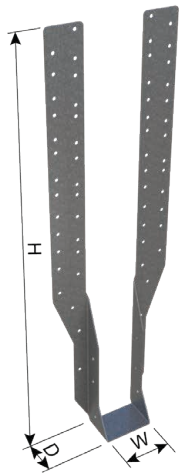
CDSTHI222  
Top Installation



CDSTHI422



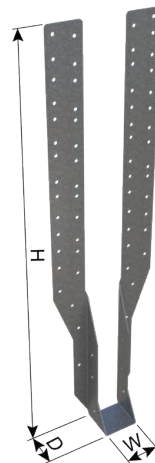
CDSTHI422  
Top Installation



CDSTHI322



CDSTHI322  
Top Installation



CDSTHI1.81-22



CDSTHI1.81-22  
Top Installation



# Adjustable Strap Hangers

## CDSTH Series

### Adjustable Strap Hangers (CDSTH/CDSTHI)

#### Spruce Pine-Fir (0.42 Specific Gravity)

Product code	Gauge	Hanger Dimension (in.)			Minimum Header (in.)		Common Nail Type Fasteners						Allowable Load (lbs)				
		Clear Seat Width, W	Overall Height, H	Overall Depth, D	Breadth	Depth	Joist at 90 Degrees		Joist at 45 Degrees		Header		Load Duration Factor				
							Size	Qty	Size	Qty	Size	Qty in Face	Qty in Top	Download			Uplift
														C <sub>D</sub> = 1.00	C <sub>D</sub> = 1.15	C <sub>D</sub> = 1.25	C <sub>D</sub> = 1.60
<b>Top Mount Installation</b>																	
CDSTH29	18	1-5/8	8-25/32	2-5/16	3	5-1/2	na	0	10d Comm	4	10d Comm	4	4	1750	1750	1750	675
CDSTH29-2	18	3-1/8	8-25/32	2-5/16	3	5-1/2	na	0	10d Comm	4	10d Comm	4	4	1750	1750	1750	675
CDSTH418	16	3-5/8	16-1/16	1-31/32	3	11-1/4	10d Comm	6	na	0	16d Comm	2	4	2205	2205	2205	0
CDSTH422	16	3-5/8	22-1/16	1-31/32	3	11-1/4	10d Comm	6	na	0	16d Comm	2	4	2205	2205	2205	0
CDSTHI1.81/22	16	1-13/16	21-13/16	1-31/32	3	11-1/4	10d Comm	2	na	0	10d Comm	2	4	1195	1195	1195	0
CDSTHI222	16	1-9/16	21-15/16	1-31/32	3	11-1/4	10d Comm	2	na	0	10d Comm	2	4	1195	1195	1195	0
CDSTHI322	16	2-9/16	21-7/16	1-31/32	3	11-1/4	10d Comm	2	na	0	10d Comm	2	4	1195	1195	1195	0
CDSTHI422	16	3-9/16	20-15/16	1-31/32	3	11-1/4	10d Comm	2	na	0	10d Comm	2	4	1195	1195	1195	0
<b>Face Mount Installation</b>																	
CDSTH29	18	1-5/8	8-25/32	2-5/16	3	9-1/4	na	0	10d Comm	4	10d Comm	16	0	1615	1615	1615	675
CDSTH29-2	18	3-1/8	8-25/32	2-5/16	3	9-1/4	na	0	10d Comm	4	10d Comm	16	0	1615	1615	1615	675
CDSTH418	16	3-5/8	16-1/16	1-31/32	1-1/2	16-1/2	na	0	16d Comm	6	16d Comm	22	0	2895	2895	2895	1520

#### Douglas Fir-Larch (0.50 Specific Gravity)

Product code	Gauge	Hanger Dimension (in.)			Minimum Header (in.)		Common Nail Type Fasteners						Allowable Load (lbs)				
		Clear Seat Width, W	Overall Height, H	Overall Depth, D	Breadth	Depth	Joist at 90 Degrees		Joist at 45 Degrees		Header		Load Duration Factor				
							Size	Qty	Size	Qty	Size	Qty in Face	Qty in Top	Downlad			Uplift
														C <sub>D</sub> = 1.00	C <sub>D</sub> = 1.15	C <sub>D</sub> = 1.25	C <sub>D</sub> = 1.60
<b>Top Mount Installation</b>																	
CDSTH29	18	1-5/8	8-25/32	2-5/16	3	5-1/2	na	0	10d Comm	4	10d Comm	4	4	2085	2085	2085	805
CDSTH29-2	18	3-1/8	8-25/32	2-5/16	3	5-1/2	na	0	10d Comm	4	10d Comm	4	4	2085	2085	2085	805
CDSTH418	16	3-5/8	16-1/16	1-31/32	3	11-1/4	10d Comm	6	na	0	16d Comm	2	4	2625	2625	2625	0
CDSTH422	16	3-5/8	22-1/16	1-31/32	3	11-1/4	10d Comm	6	na	0	16d Comm	2	4	2625	2625	2625	0
CDSTHI1.81/22	16	1-13/16	21-13/16	1-31/32	3	11-1/4	10d Comm	2	na	0	10d Comm	2	4	1420	1420	1420	0
CDSTHI222	16	1-9/16	21-15/16	1-31/32	3	11-1/4	10d Comm	2	na	0	10d Comm	2	4	1420	1420	1420	0
CDSTHI322	16	2-9/16	21-7/16	1-31/32	3	11-1/4	10d Comm	2	na	0	10d Comm	2	4	1420	1420	1420	0
CDSTHI422	16	3-9/16	20-15/16	1-31/32	3	11-1/4	10d Comm	2	na	0	10d Comm	2	4	1420	1420	1420	0
<b>Face Mount Installation</b>																	
CDSTH29	18	1-5/8	8-25/32	2-5/16	3	9-1/4	na	0	10d Comm	4	10d Comm	16	0	1925	1925	1925	805
CDSTH29-2	18	3-1/8	8-25/32	2-5/16	3	9-1/4	na	0	10d Comm	4	10d Comm	16	0	1925	1925	1925	805
CDSTH418	16	3-5/8	16-1/16	1-31/32	1-1/2	16-1/2	na	0	16d Comm	6	16d Comm	22	0	3450	3450	3450	1810

**Notes:**

For SI: 1 inch = 25.4 mm, 1 pound (lb) = 4.45 N

- 1 See images for hanger dimension definitions of W, H, and D.
- 2 Refer to Section 3.2.3 of ESR-5062 for nail sizes and the required minimum physical properties.
- 3 The tabulated allowable loads have been adjusted for the load duration factors, C<sub>D</sub>, as shown, in accordance with the NDS. The tabulated allowable loads do not apply to loads of other load durations, and are not allowed to be adjusted for other load durations. See Sections 4.1 and 4.2 of ESR-5062 for additional design and installation requirements.
- 4 The tabulated allowable loads are for installations on wood members complying with Section 3.2.1 of the ESR-5062 report. Wood members must also have a reference compressive perpendicular to grain design value, F<sub>c</sub>-perp, respectively for the wood species noted in the table.
- 5 The tabulated allowable uplift loads have been increased for wind and seismic loading with no further increase is allowed. The tabulated allowable uplift loads must be reduced when other load duration govern.
- 6 For face mount installation, when more holes in header flanges are available than required fasteners, fasteners must be evenly divided between header flanges and placed in the lowermost 4 holes in each header flange and the uppermost available 2 holes of each header flange, with remaining fasteners evenly distributed throughout remaining header flange holes.
- 7 For top mount installations, fasteners in top of header must be evenly divided between header flanges. The furthest fastener in each top flange from the hanger face of the header must be at least 2 inches for the CDSTH418 and CDSTH422, and 2.25 inches for the CDSTH29 and CDSTH29-2, and 2.5 inches for the CDSTHI1.81/22, CDSTHI222, CDSTHI322, and CDSTHI422. Fasteners in face of header must be evenly divided between header flanges and applied in the lowermost holes of each header flange.
- 8 All fasteners must be placed a minimum of 1/4" from any edge of members.
- 9 CDSTH hangers have a torsional moment capacity rating of 75 pounds (334 N) times the depth of the joist at which the lateral movement of either the top or bottom of the joist with respect to the original vertical position of the joist is 0.125 inch (3.2mm).

Adjustable Strap Hangers (CDSTH/CDSTHI)																	
Southern Pine (0.55 Specific Gravity)																	
Product code	Gauge	Hanger Dimension (in.)			Minimum Header (in.)		Common Nail Type Fasteners						Allowable Load (lbs)				
		Clear Seat Width, W	Overall Height, H	Overall Depth, D	Breadth	Depth	Joist at 90 Degrees		Joist at 45 Degrees		Header		Load Duration Factor				
							Size	Qty	Size	Qty	Size	Qty in Face	Qty in Top	Download			Uplift
														C <sub>D</sub> = 1.00	C <sub>D</sub> = 1.15	C <sub>D</sub> = 1.25	C <sub>D</sub> = 1.60
<b>Top Mount Installation</b>																	
CDSTH29	18	1-5/8	8-25/32	2-5/16	3	5-1/2	na	0	10d Comm	4	10d Comm	4	4	2295	2295	2295	885
CDSTH29-2	18	3-1/8	8-25/32	2-5/16	3	5-1/2	na	0	10d Comm	4	10d Comm	4	4	2295	2295	2295	885
CDSTH418	16	3-5/8	16-1/16	1-31/32	3	11-1/4	10d Comm	6	na	0	16d Comm	2	4	2885	2885	2885	0
CDSTH422	16	3-5/8	22-1/16	1-31/32	3	11-1/4	10d Comm	6	na	0	16d Comm	2	4	2885	2885	2885	0
CDSTHI1.81/22	16	1-13/16	21-13/16	1-31/32	3	11-1/4	10d Comm	2	na	0	10d Comm	2	4	1565	1565	1565	0
CDSTHI222	16	1-9/16	21-15/16	1-31/32	3	11-1/4	10d Comm	2	na	0	10d Comm	2	4	1565	1565	1565	0
CDSTHI322	16	2-9/16	21-7/16	1-31/32	3	11-1/4	10d Comm	2	na	0	10d Comm	2	4	1565	1565	1565	0
CDSTHI422	16	3-9/16	20-15/16	1-31/32	3	11-1/4	10d Comm	2	na	0	10d Comm	2	4	1565	1565	1565	0
<b>Face Mount Installation</b>																	
CDSTH29	18	1-5/8	8-25/32	2-5/16	3	9-1/4	na	0	10d Comm	4	10d Comm	16	0	2115	2115	2115	885
CDSTH29-2	18	3-1/8	8-25/32	2-5/16	3	9-1/4	na	0	10d Comm	4	10d Comm	16	0	2115	2115	2115	885
CDSTH418	16	3-5/8	16-1/16	1-31/32	1-1/2	16-1/2	na	0	16d Comm	6	16d Comm	22	0	3795	3795	3795	1995

**Notes:**

For SI: 1 inch = 25.4 mm, 1 pound (lb) = 4.45 N

- 1 See images for hanger dimension definitions of W, H, and D.
- 2 Refer to Section 3.2.3 of ESR-5062 for nail sizes and the required minimum physical properties.
- 3 The tabulated allowable loads have been adjusted for the load duration factors, C<sub>D</sub>, as shown, in accordance with the NDS. The tabulated allowable loads do not apply to loads of other load durations, and are not allowed to be adjusted for other load durations. See Sections 4.1 and 4.2 of ESR-5062 for additional design and installation requirements.
- 4 The tabulated allowable loads are for installations on wood members complying with Section 3.2.1 of the ESR-5062 report. Wood members must also have a reference compressive perpendicular to grain design value, F<sub>c</sub>-perp, respectively for the wood species noted in the table.
- 5 The tabulated allowable uplift loads have been increased for wind and seismic loading with no further increase is allowed. The tabulated allowable uplift loads must be reduced when other load duration govern.
- 6 For face mount installation, when more holes in header flanges are available than required fasteners, fasteners must be evenly divided between header flanges and placed in the lowermost 4 holes in each header flange and the uppermost available 2 holes of each header flange, with remaining fasteners evenly distributed throughout remaining header flange holes.
- 7 For top mount installations, fasteners in top of header must be evenly divided between header flanges. The furthest fastener in each top flange from the hanger face of the header must be at least 2 inches for the CDSTH418 and CDSTH422, and 2.25 inches for the CDSTH29 and CDSTH29-2, and 2.5 inches for the CDSTHI1.81/22, CDSTHI222, CDSTHI322, and CDSTHI422. Fasteners in face of header must be evenly divided between header flanges and applied in the lowermost holes of each header flange.
- 8 All fasteners must be placed a minimum of 1/4" from any edge of members.
- 9 CDSTH hangers have a torsional moment capacity rating of 75 pounds (334 N) times the depth of the joist at which the lateral movement of either the top or bottom of the joist with respect to the original vertical position of the joist is 0.125 inch (3.2mm).

Truss and Rafters

<b>PAGE 55</b>	<b>TRUSS SPACER / BRACER (CDTBR24)</b>
<b>PAGES 56-57</b>	<b>HURRICANE ANCHOR CLIPS (CDHTA2.5, CDHTHA4)</b>
<b>PAGES 58-59</b>	<b>LOAD SHARE CLIP (CDLSC)</b>
<b>PAGE 60</b>	<b>MEDIUM DUTY JOIST &amp; TRUSS HANGER (CDAHU)</b>
<b>PAGES 61-64</b>	<b>HURRICANE TIE (CDHT)</b>

**Truss Spacer / Bracer**

The CDTBR24 is made from high-strength steel to meet the industry’s most demanding engineering standards. It was designed from the ground up to solve field installation problems. The new Truss Spacer/Bracer is used for lateral bracing and spacing of trusses 24 inches on center.

The CDTBR24 meets BCSI-B2 Truss Installation & Temporary Restraint/Bracing requirements, with values that exceed the competition in every installation configuration. To eliminate potential safety issues, the edges have been rolled and the tabs are inverted for easy installation.

**MATERIAL SPECIFICATIONS**

**Gauge:** 24 gauge (23mil)

**Design thickness:** 0.0238 inches

**Coating:** G90 (Z275) hot-dipped galvanized coating

**Yield Strength:** Structural Grade 50 Type H (ST50H), 50ksi (340 MPa)

**PRODUCT DIMENSIONS**

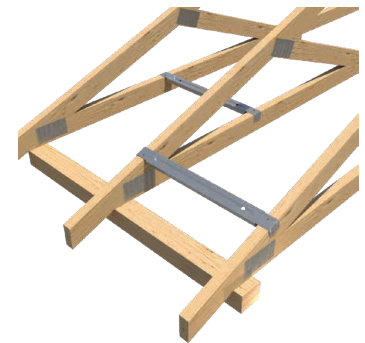
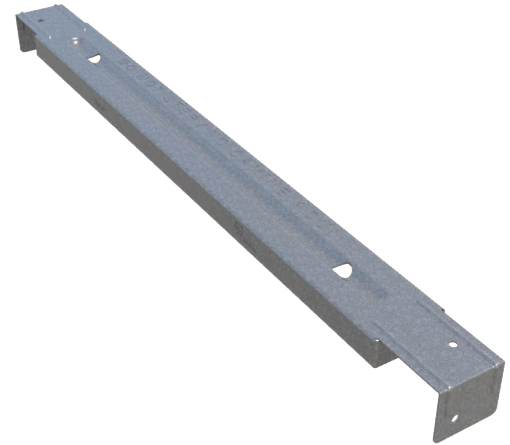
**Length (L):** 25-9/16"

**Width (W):** 1-1/2"

**Depth (D):** 5/8"

**CODE REPORT**

- IAPMO ER-0176



TBR24 Installation

**Truss Spacer / Bracer (CDTBR24)**

Product code	Fastener (Quantity per Bracer)		Load Type	Allowable Loads (lbs)											
				Spruce Pine-Fir (0.42 Specific Gravity)				Douglas Fir-Larch (0.50 Specific Gravity)				Southern Pine (0.55 Specific Gravity)			
	Size	Quantity		Load Duration Factor				Load Duration Factor				Load Duration Factor			
				1.00	1.15	1.25	1.60	1.00	1.15	1.25	1.60	1.00	1.15	1.25	1.60
CDTBR24 (Reduced Nailing)	10d x 1-1/2	2	Tension	175	175	175	175	225	225	225	225	230	230	230	230
CDTBR24 (Reduced Nailing)	10d x 1-1/2	2	Compression	370	385	395	430	515	530	545	585	485	505	515	560
CDTBR24	10d x 1-1/2	4	Tension	375	390	400	400	510	510	510	510	495	510	510	510
CDTBR24	10d x 1-1/2	4	Compression	400	420	435	480	560	585	605	605	545	575	595	605

**Notes:**

- 1 Allowable Load Capacities based on the Tabulated Species and Load Duration Factor.
- 2 CDTBR24 product is made of No. 24 gauge steel.
- 3 CDTBR24 have a dimension of Length: 25-9/16 inches, Width: 1-1/2 inches, Depth: 5/8 inch.
- 4 The required permanent lateral support for wood trusses shall be designed in accordance with Section 2303.4.1.5 of 2006 IBC or Section 2303.4.1.2 of 2009 IBC and 2012 IBC.
- 5 To obtain reduced nailing bracer capacities in tension and compression, nails shall be installed at each end of the bracer on narrow face.
- 6 To obtain maximum bracer capacities in tension and compression, nails shall be installed at each end of the bracer on both narrow face and wide face.

## Hurricane Anchor Clips

The CDHTHA anchor series is manufactured to attach metal plate connected trusses, framing members and wall members, made of solid sawn or structural composite lumber; to solid sawn or structural composite lumber wall members. The CDHTHA anchors resist upward load, lateral load perpendicular to the supported truss or framing member.

The CDHTHA2.5 product may be used on either or both sides for the supported member.

Attachment is required to the lower portion of the supported truss or framing member, and the top plates of the supporting wall, or wall stud and anchored sill (bottom) plate(s).

### MATERIAL SPECIFICATIONS

**Gauge:** 18ga (43mil)

**Design Thickness:** 0.0451 inches

**Coating:** G90 (Z275) hot-dipped galvanized coating

**Yield Strength:** Structural Grade 50 Type H (ST50H), 50ksi (340 MPa)

### PRODUCT DIMENSIONS

#### CDHTHA2.5

**Width (W):** 1"

**Height (H):** 6"

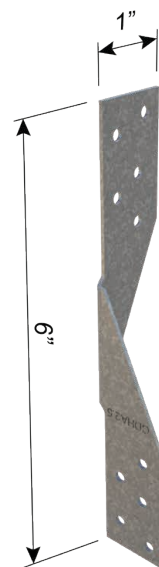
#### CDHTHA4

**Width (W):** 2.125"

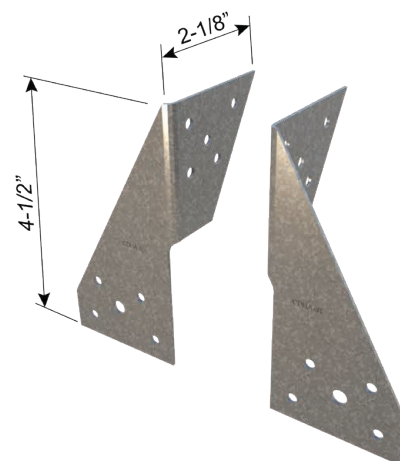
**Height (H):** 4.5"

### CODE REPORT

- IAPMO ER-0176



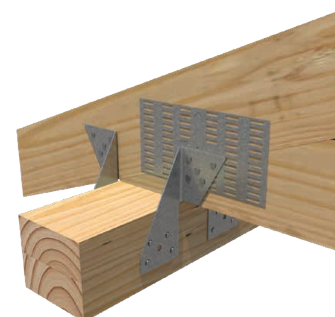
CDHTHA2.5



CDHTHA4



CDHTHA2.5 Installation



CDHTHA4 Installation

## Hurricane Anchor Clips (CDHTHA2.5, CDHTHA4)

Product code	Common Nail Type Fasteners				Allowable Upward Loads (lbs)											
					Spruce Pine-Fir (0.42 Specific Gravity)				Douglas Fir-Larch (0.50 Specific Gravity)				Southern Pine (0.55 Specific Gravity)			
	Joist Size	Joist Qty.	Wall Plate Size	Wall Plate Qty.	Load Duration Factor				Load Duration Factor				Load Duration Factor			
					1.00	1.15	1.25	1.60	1.00	1.15	1.25	1.60	1.00	1.15	1.25	1.60
(2)CDHTHA2.5 (1 each face)	0.131" x 1.5"	10	0.131" x 1.5"	10	835	960	1045	1145	975	1120	1145	1145	1055	1145	1145	1145
(2)CDHTHA2.5 (1 each face)	0.131" x 1.5"	10	0.131" x 2.5"	10	835	960	1045	1145	975	1120	1145	1145	1055	1145	1145	1145
(4)CDHTHA4 (2 each face)	0.131" x 1.5"	5	0.131" x 2.5"	4	1340	1540	1680	2140	1560	1800	1940	2500	1680	1940	2100	2700
(4)CDHTHA4 (2 each face)	0.131" x 1.5"	5	0.148" x 1.5"	4	1620	1860	2020	2580	1880	2160	2340	3000	2040	2340	2540	3260

### Notes:

- 1 Allowable Load Capacities based on Species and Load Duration Factor as permitted by applicable building code.
- 2 Products shown in table are made of No. 18 gauge steel.
- 3 Products shall be installed in pairs on each side of the connected member for the CDHTHA2.5.
- 4 Four CDHTHA4 shall be installed, two on each face, to the connected member.



## Load Share Clip

The CDLSC load share clip series is manufactured to transfer loads between two truss or framing ply members made of solid sawn or structural composite lumber.

### MATERIAL SPECIFICATIONS

**Gauge:** 18ga (43mil)

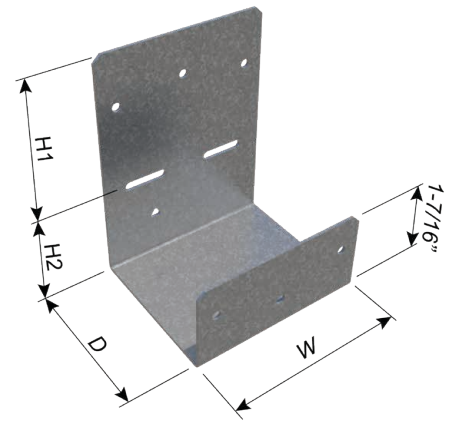
**Design Thickness:** 0.0451 inches

**Coating:** G90 (Z275) hot-dipped galvanized coating

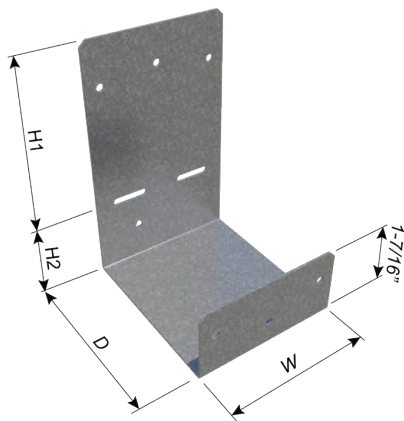
**Yield Strength:** Structural Grade 50 Type H (ST50H), 50ksi (340 MPa)

### CODE REPORT

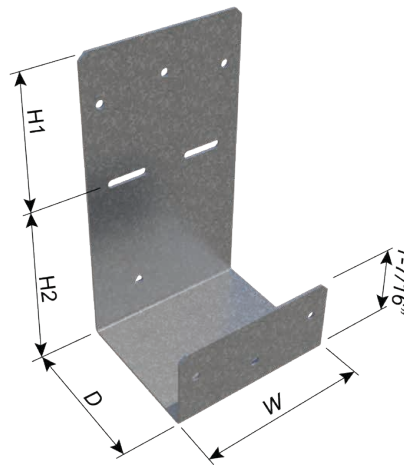
- IAPMO ER-0176



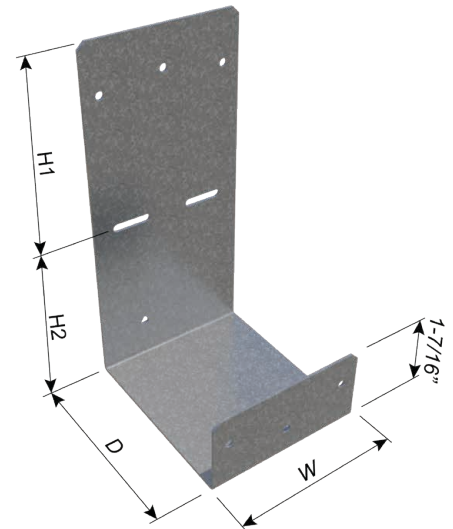
CDLSC32



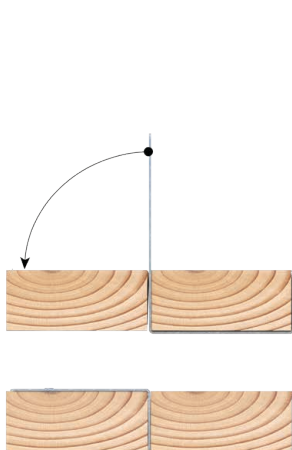
CDLSC42



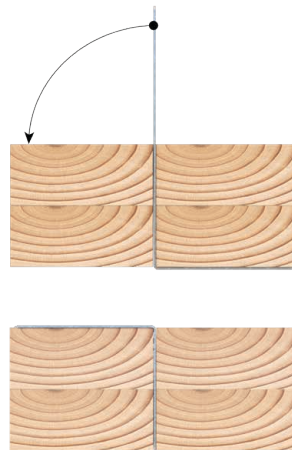
CDLSC32-2



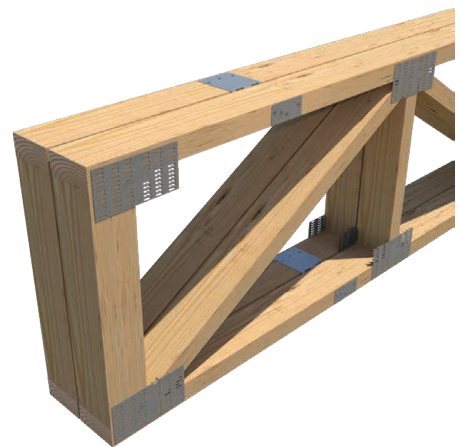
CDLSC42-2



CDLSC Installation



CDLSC Installation



## Load Share Clip (CDLSC)

Product code	Overall Dimensions (in)				Size	Fasteners		Allowable Downward Loads (lbs)											
	Width W (in)	Height 1 H1 (in)	Height 2 H2 (in)	Depth D (in)		Quantity		Spruce Pine-Fir (0.42 Specific Gravity)				Douglas Fir-Larch (0.50 Specific Gravity)				Southern Pine (0.55 Specific Gravity)			
						Supporting Member	Supported Member	Load Duration Factor				Load Duration Factor				Load Duration Factor			
								1.00	1.15	1.25	1.60	1.00	1.15	1.25	1.60	1.00	1.15	1.25	1.60
CDLSC32	3	2-7/16	1-1/2	2-1/2	0.131" x 1.5"	3	3	565	565	565	565	770	770	770	770	900	900	900	900
CDLSC32-2	3	2-7/16	3	2-1/2	0.131" x 1.5"	3	3	565	565	565	565	770	770	770	770	900	900	900	900
CDLSC42	3	3-7/16	1-1/2	3-1/2	0.131" x 1.5"	3	3	565	565	565	565	770	770	770	770	900	900	900	900
CDLSC42-2	3	3-7/16	3	3-1/2	0.131" x 1.5"	3	3	565	565	565	565	770	770	770	770	900	900	900	900

**Notes:**

- 1 Allowable Load Capacities based on the Tabulated Species and Load Duration Factor.
- 2 Products shown in table are made of No. 18 gauge steel.

## Medium Duty Joist and Truss Hangers

CDAHU is a face-mount hanger designed for wood plate trusses and heavily loaded members with a 2-3/4" seat dimension.

### MATERIAL SPECIFICATIONS

**Gauge:** 18ga (43mil)

**Design Thickness:** 0.0451 inches

**Coating:** G90 (Z275) hot-dipped galvanized coating

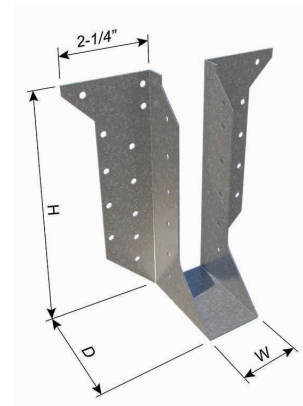
**Yield Strength:** Structural Grade 50 Type H (ST50H), 50ksi (340 MPa)

### PRODUCT DIMENSIONS

**JOIST SIZES:** Singles and Doubles, 2x4, 2x6, 2x8

### CODE REPORT

- ICC-ES ESR-5062



CDAHU Installation

## Medium Duty Joist and Truss Hangers (CDAHU)

Spruce Pine-Fir (0.42 Specific Gravity)													
Product code	Gauge	Hanger Dimensions <sup>1</sup> (in)			Fasteners <sup>2</sup>				Allowable Load <sup>3,4,5</sup>				
		Width, W	Height, H	Depth, D	Joist		Wall Plate		Download			Uplift	
					Size	Qty	Size	Qty	C <sub>D</sub> = 1.00	C <sub>D</sub> = 1.15	C <sub>D</sub> = 1.25	C <sub>D</sub> = 1.60	
CDAHU26	18	1-9/16	5-1/2	2-3/4	10d x 1-1/2	8	16d Comm	24	2560	2585	2585	1000	
CDAHU28	18	1-9/16	6-1/2	2-3/4	10d x 1-1/2	12	16d Comm	24	2875	3140	3265	1605	
CDAHU210	18	1-9/16	8-1/2	2-3/4	10d x 1-1/2	16	16d Comm	24	2875	3305	3595	2575	
CDAHU26-2	18	3-7/16	5-1/2	2-3/4	10d Comm	8	16d Comm	24	2590	2590	2590	1000	
CDAHU46	18	3-9/16	5-1/2	2-3/4	10d Comm	8	16d Comm	24	2590	2590	2590	1000	

Douglas Fir-Larch (0.50 Specific Gravity)													
Product code	Gauge	Hanger Dimensions <sup>1</sup> (in)			Fasteners <sup>2</sup>				Allowable Load <sup>3,4,5</sup>				
		Width, W	Height, H	Depth, D	Joist		Wall Plate		Download			Uplift	
					Size	Qty	Size	Qty	C <sub>D</sub> = 1.00	C <sub>D</sub> = 1.15	C <sub>D</sub> = 1.25	C <sub>D</sub> = 1.60	
CDAHU26	18	1-9/16	5-1/2	2-3/4	10d x 1-1/2	8	16d Comm	24	3075	3075	3075	1190	
CDAHU28	18	1-9/16	6-1/2	2-3/4	10d x 1-1/2	12	16d Comm	24	3350	3850	4030	1910	
CDAHU210	18	1-9/16	8-1/2	2-3/4	10d x 1-1/2	16	16d Comm	24	3350	3850	4185	3000	
CDAHU26-2	18	3-7/16	5-1/2	2-3/4	10d Comm	8	16d Comm	24	3075	3075	3075	1190	
CDAHU46	18	3-9/16	5-1/2	2-3/4	10d Comm	8	16d Comm	24	3075	3075	3075	1190	

Southern Pine (0.55 Specific Gravity)													
Product code	Gauge	Hanger Dimensions <sup>1</sup> (in)			Fasteners <sup>2</sup>				Allowable Load <sup>3,4,5</sup>				
		Width, W	Height, H	Depth, D	Joist		Wall Plate		Download			Uplift	
					Size	Qty	Size	Qty	C <sub>D</sub> = 1.00	C <sub>D</sub> = 1.15	C <sub>D</sub> = 1.25	C <sub>D</sub> = 1.60	
CDAHU26	18	1-9/16	5-1/2	2-3/4	10d x 1-1/2	8	16d Comm	24	3345	3345	3345	1290	
CDAHU28	18	1-9/16	6-1/2	2-3/4	10d x 1-1/2	12	16d Comm	24	3635	4085	4235	2060	
CDAHU210	18	1-9/16	8-1/2	2-3/4	10d x 1-1/2	16	16d Comm	24	3635	4180	4540	3075	
CDAHU26-2	18	3-7/16	5-1/2	2-3/4	10d Comm	8	16d Comm	24	3345	3345	3345	1290	
CDAHU46	18	3-9/16	5-1/2	2-3/4	10d Comm	8	16d Comm	24	3345	3345	3345	1290	

### Notes (con't):

- The tabulated allowable uplift loads have been increased for wind and seismic loading with no further increase is allowed. The tabulated allowable uplift loads must be reduced when other load duration govern.
- CDAHU hangers have a torsional moment capacity rating of 75 pounds (334 N) times the depth of the joist at which the lateral movement of either the top or bottom of the joist with respect to the original vertical position of the joist is 0.125 inch (3.2mm).

### Notes:

For SI: 1 inch = 25.4 mm,  
1 pound (lb) = 4.45 N

- See images for hanger dimension definitions of W, H, and D.
- Refer to Section 3.2.3 of ESR-5062 for nail sizes and the required minimum physical properties.
- The tabulated allowable loads have been adjusted for the load duration factors, C<sub>D</sub>, as shown, in accordance with the NDS. The tabulated allowable loads do not apply to loads of other load durations, and are not allowed to be adjusted for other load durations. See Sections 4.1 and 4.2 of ESR-5062 for additional design and installation requirements.
- The tabulated allowable loads are for installations on wood members complying with Section 3.2.1 of the ESR-5062 report. Wood members must also have a reference compressive perpendicular to grain design value, F<sub>c-perp</sub>, respectively for the wood species noted in the table.

## Hurricane Tie

Used as a connection between truss/rafters and walls to resist lateral and uplift conditions.

### MATERIAL SPECIFICATIONS

**Gauge:** 18ga (43mil)

**Design Thickness:** 0.0451 inches

**Coating:** G90 (Z275) hot-dipped galvanized coating

**Yield Strength:** Structural Grade 50 Type H (ST50H), 50ksi (340 MPa)

### PRODUCT DIMENSIONS

**CDHT2A:** 1-37/64" x 10-7/16"

**CDHT2.5A:** 1-5/8" x 6"

**CDHT2.5T:** 1-27/64" x 6-3/8"

**CDHT3:** 1-5/8" x 4-5/8"

### CODE REPORT

- ICC-ES ESR-5079



## Hurricane Tie (CDHT)

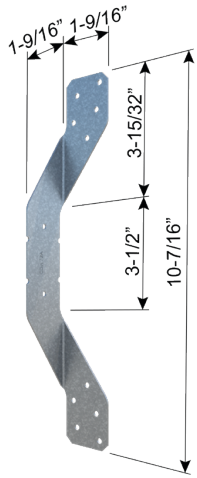
Product Code	Gauge	Fasteners Scheduling				LOAD <sup>6</sup> DIR.	Allowable Load (lbf)			
		Type <sup>4</sup>	Stud Qty.	Plate Qty.	Truss Qty.		C <sub>D</sub> = 1.00	C <sub>D</sub> = 1.15	C <sub>D</sub> = 1.25	C <sub>D</sub> = 1.60
CDHT2A	18	8d x 2.5	2	5	5	F <sub>1</sub>	245	245	245	245
			2	5	5	F <sub>2</sub>	110	110	110	110
			2	5	5	Uplift	430	430	430	430
CDHT2.5A	18	8d x 2.5	-	5	5	F <sub>1</sub>	380	380	380	380
			#9-15 x 2.5 <sup>2</sup>	-	5		5	450	450	450
	18	8d x 2.5	-	5	5	F <sub>2</sub>	295	295	295	295
			#9-15 x 2.5 <sup>2</sup>	-	5		5	395	395	395
	18	8d x 2.5	-	5	5	Uplift	445	445	445	445
			#9-15 x 2.5 <sup>2</sup>	-	5		5	450	450	450
CDHT2.5T	18	8d x 2.5	-	5	5	F <sub>1</sub>	280	280	280	280
			-	5	5	F <sub>2</sub>	290	290	290	290
			-	5	5	Uplift	465	465	465	465
CDHT3	18	8d x 2.5	4	-	4	F <sub>1</sub>	150	150	150	150
			4	-	4	F <sub>2</sub>	170	170	170	170
			4	-	4	Uplift	380	380	380	380

### Notes:

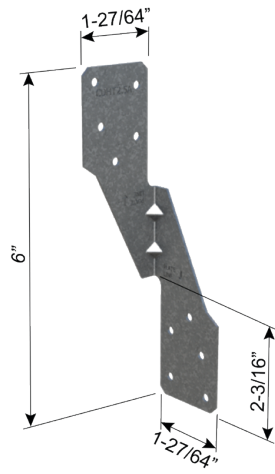
For SI: 1 inch = 25.4 mm, 1 pound (lb) = 4.45 N

- The tabulated allowable loads have been adjusted for the load duration factors, C<sub>D</sub>, as shown, in accordance with the NDS. The tabulated allowable loads do not apply to loads of other load durations, and are not allowed to be adjusted for other load durations. See Sections 4.1 and 4.2 of ESR-5079 for additional design and installation requirements.
- The tabulated allowable loads are for installations on wood members complying with Section 3.2.1 of the ESR-5079 report. Wood members must also have a reference compressive perpendicular to grain design value, F<sub>c-perp</sub>, of 625 psi (4.31 MPa) or greater.
- Refer to images for product dimensions.
- Refer to Section 3.2.3 of ESR-5079 for nail sizes and the required minimum physical properties.
- ITW Buildex Trugrip metal-to-wood screws. Refer to [www.itwbuildex.com](http://www.itwbuildex.com) for the required physical properties.
- F<sub>1</sub> is the load parallel to truss or joist and F<sub>2</sub> is the load perpendicular to truss or joist.

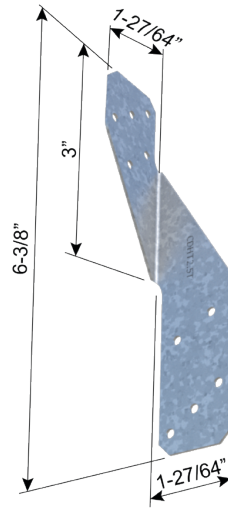
## Hurricane Tie



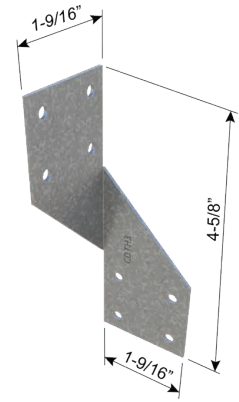
CDHT2A



CDHT2.5A



CDHT2.5T



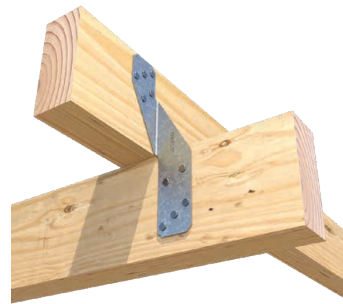
CDHT3



CDHT2A Installation



CDHT2.5A Installation



CDHT2.5T Installation



CDHT3 Installation

Designed to hold trusses on both sides to transfer uplift loads from roof framing members to the wall studs.

**MATERIAL SPECIFICATIONS**

**Gauge:** 18ga (43mil)

**Design Thickness:** 0.0451 inches

**Coating:** G90 (Z275) hot-dipped galvanized coating

**Yield Strength:** Structural Grade 50 Type H (ST50H), 50ksi (340 MPa)

**PRODUCT DIMENSIONS**

**CDHT1:** 1-9/16" x 5-5/16"

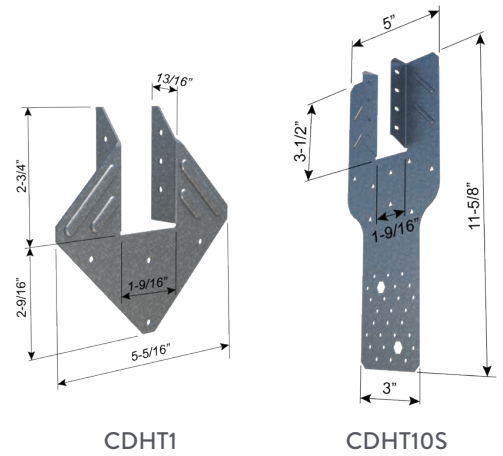
**CDHT10A:** 1-9/16" x 6-1/4"

**CDHT10A-2:** 3-1/8" x 6-1/4"

**CDHT10S:** 1-9/16" x 11-5/8"

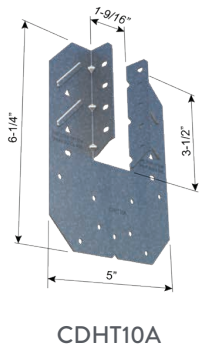
**CODE REPORT**

- ICC-ES ESR-5079



CDHT1

CDHT10S



CDHT10A

**Hurricane Tie (CDHT)**

Product Code	Gauge	Fasteners Scheduling			LOAD <sup>6</sup> DIR.	Allowable Load (lbf)				
		Type <sup>4</sup>	Stud Qty.	Plate Qty.		Truss Qty.	C <sub>D</sub> = 1.00	C <sub>D</sub> = 1.15	C <sub>D</sub> = 1.25	C <sub>D</sub> = 1.60
CDHT1	16	8d x 2-1/2	1	3	6	F <sub>1</sub>	285	330	360	460
			1	3	6	F <sub>2</sub>	285	330	360	405
			1	3	6	Uplift	285	330	360	460
CDHT10A	18	10d x 1-1/2	-	9	8	F <sub>1</sub>	535	535	535	535
			-	9	8	F <sub>2</sub>	220	220	220	220
			-	9	8	Uplift	635	635	635	635
CDHT10S	18	8d x 1-1/2	8	8	8	F <sub>1</sub>	550	550	550	550
			8	8	8	F <sub>2</sub>	210	210	210	210
			8	8	8	Uplift	740	775	775	775

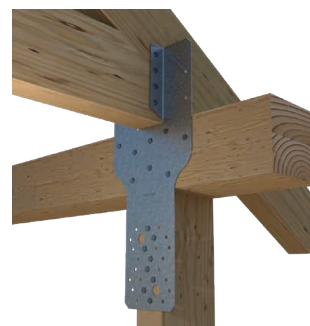
**Notes:**

For SI: 1 inch = 25.4 mm, 1 pound (lb) = 4.45 N

- The tabulated allowable loads have been adjusted for the load duration factors, C<sub>D</sub>, as shown, in accordance with the NDS. The tabulated allowable loads do not apply to loads of other load durations, and are not allowed to be adjusted for other load durations. See Sections 4.1 and 4.2 of ESR-5079 for additional design and installation requirements.
- The tabulated allowable loads are for installations on wood members complying with Section 3.2.1 of the ESR-5079 report. Wood members must also have a reference compressive perpendicular to grain design value, F<sub>c-perp</sub>, of 625 psi (4.31 MPa) or greater.
- Refer to images for product dimensions.
- Refer to Section 3.2.3 of ESR-5079 for nail sizes and the required minimum physical properties.
- ITW Buildex Trugrip metal-to-wood screws. Refer to www.itwbuildex.com for the required physical properties.
- F<sub>1</sub> is the load parallel to truss or joist and F<sub>2</sub> is the load perpendicular to truss or joist.



CDHT1 Installation



CDHT10S Installation



CDHT10A Installation



## Hurricane Tie

CDHT6 and CDHT8 are high capacity hurricane ties that connect trusses to the top of wall plates in wood framing walls.

### MATERIAL SPECIFICATIONS

**Gauge:** 18ga (43mil)

**Design Thickness:** 0.0451 inches

**Coating:** G90 (Z275) hot-dipped galvanized coating

**Yield Strength:** Structural Grade 50 Type H (ST50H), 50ksi (340 MPa)

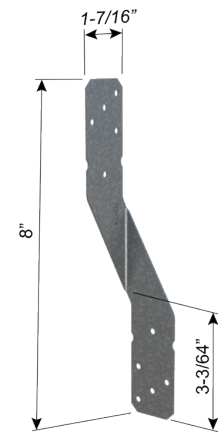
### PRODUCT DIMENSIONS

**CDHT6:** 2-7/16" x 19-3/16"

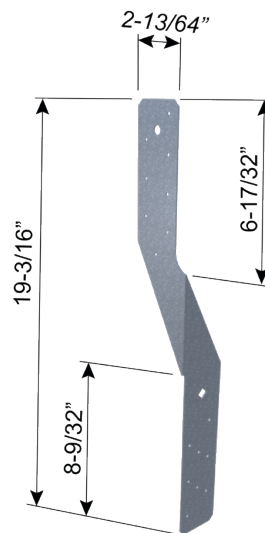
**CDHT8:** 1-7/16" x 8"

### CODE REPORT

- ICC-ES ESR-5079



CDHT8



CDHT6

### Hurricane Tie (CDHT)

Product Code	Gauge	Fasteners Scheduling			LOAD <sup>6</sup> DIR.	Allowable Load (lbf)				
		Type <sup>4</sup>	Stud Qty.	Plate Qty.		Truss Qty.	C <sub>D</sub> = 1.00	C <sub>D</sub> = 1.15	C <sub>D</sub> = 1.25	C <sub>D</sub> = 1.60
CDHT6	18	8d x 2-1/2	1	7	7	F <sub>1</sub>	425	425	425	425
			1	7	7	F <sub>2</sub>	380	380	380	380
			1	7	7	Uplift	735	735	735	735
CDHT8	18	8d x 2-1/2	-	5	5	F <sub>1</sub>	290	290	290	290
			-	5	5	F <sub>2</sub>	150	150	150	150
			-	5	5	Uplift	480	480	480	480

#### Notes:

For SI: 1 inch = 25.4 mm, 1 pound (lb) = 4.45 N

- The tabulated allowable loads have been adjusted for the load duration factors, C<sub>D</sub>, as shown, in accordance with the NDS. The tabulated allowable loads do not apply to loads of other load durations, and are not allowed to be adjusted for other load durations. See Sections 4.1 and 4.2 of ESR-5079 for additional design and installation requirements.
- The tabulated allowable loads are for installations on wood members complying with Section 3.2.1 of the ESR-5079 report. Wood members must also have a reference compressive perpendicular to grain design value, F<sub>c</sub>-perp, of 625 psi (4.31 MPa) or greater.
- Refer to images for product dimensions.
- Refer to Section 3.2.3 of ESR-5079 for nail sizes and the required minimum physical properties.
- ITW Buildex Trugrip metal-to-wood screws. Refer to [www.itwbuildex.com](http://www.itwbuildex.com) for the required physical properties.
- F<sub>1</sub> is the load parallel to truss or joist and F<sub>2</sub> is the load perpendicular to truss or joist.



CDHT8 Installation



CDHT6 Installation

**A**  
**Adjustable Strap Hangers** ..... 50-53  
 CDSTH29  
 CDSTH29-2  
 CDSTH418  
 CDSTH422  
 CDSTHI1.81-22  
 CDSTHI222  
 CDSTHI322  
 CDSTHI422

**Angles and Straps** ..... 4-31

**D**  
**Deck and Fence** ..... 32-33

**Double Shear Face-Mount Hangers - CDMDS Series** ..... 46-49  
 CDMDS26  
 CDMDS26-2  
 CDMDS26-3  
 CDMDS28  
 CDMDS28-2  
 CDMDS28-3  
 CDMDS28-4  
 CDMDS210  
 CDMDS210-2  
 CDMDS210-3  
 CDMDS210-4  
 CDMDS1.81-10  
 CDMDS46  
 CDMDS48  
 CDMDS410

**Double Shear Face-Mount Hangers - CDLDS Series** ..... 41-45  
 CDLDS24  
 CDLDS24-2  
 CDLDS26  
 CDLDS26-2  
 CDLDS26-3  
 CDLDS28  
 CDLDS28-2  
 CDLDS28-3  
 CDLDS210  
 CDLDS210-2  
 CDLDS210-3  
 CDLDS212-2  
 CDLDS44  
 CDLDS46  
 CDLDS48  
 CDLDS410  
 CDLDS412

**F**  
**Fence Brackets** ..... 33  
 CDFB24G

**Framing Angles** ..... 12-13  
 CDFA1  
 CDFA2

**G**  
**Gusset Clips** ..... 5  
 CDGC1  
 CDGC2

**H**  
**Hangers** ..... 34-53

**Heavy Duty Joist and Truss Hangers** ..... 37  
 CDAGUS26-2T  
 CDAGUS28-2T  
 CDAGUS28-3T

**Hurricane Anchor Clips** ..... 56-57  
 CDHTA2.5  
 CDHTHA4

**Hurricane Tie** ..... 61-64  
 CDHT1  
 CDHT2A  
 CDHT2.5A  
 CDHT2.5T  
 CDHT3  
 CDHT6  
 CDHT8  
 CDHT10A  
 CDHT10S

**L**  
**"L" Strap Ties** ..... 6  
 CD6LS

**Light and Medium Framing Angle** ..... 8-11  
 CDFA21  
 CDFA23  
 CDFA33  
 CDFA44  
 CDFA66  
 CDFA88  
 CDFA24  
 CDFA311

**Light Duty Face-Mount Hangers** ..... 38-40  
 CDLTH24  
 CDLTH26  
 CDLTH28  
 CDLTH28-2

**Light Straps - CDLS Series** ..... 22-23  
 CDLS9  
 CDLS12  
 CDLS15  
 CDLS18  
 CDLS21  
 CDLS24

**Light Truss End/Hip Jack Hanger** ..... 35  
 CDLEHJ

**Load Share Clip** ..... 58-59  
 CDLSC32  
 CDLSC32-2  
 CDLSC42  
 CDLSC42-2

**Locations** ..... 67

**M**  
**Medium Clip Angle** ..... 7  
 CDCA23G  
 CDCA24G  
 CDCA26G  
 CDCA28G  
 CDCA210G

**Medium Duty Joist and Truss Hangers** ..... 60  
 CDAHU26  
 CDAHU26-2  
 CDAHU28  
 CDAHU210  
 CDAHU46

**Medium Straps - CDLMS Series** ..... 24-25  
 CDLMS9  
 CDLMS12  
 CDLMS15  
 CDLMS18  
 CDLMS21  
 CDLMS24  
 CDLMS30  
 CDLMS33  
 CDLMS36

**Mending Tie Plate** ..... 14  
 CDTP14  
 CDTP24  
 CDTP36

**N**  
**Nail Plates** ..... 16-17  
 CDNP15  
 CDNP35  
 CDNP37  
 CDNP45  
 CDNP47  
 CDNP57

**Nail Stop Plates** ..... 15  
 CDNSP1  
 CDNSP2

**P**  
**Plywood Clips** ..... 20  
 CDPC12  
 CDPC1532  
 CDPC34  
 CDPC38  
 CDPC58  
 CDPC716

**Purlin Hangers** ..... 36  
 CDPHD26

**R**  
**Rolled Straps** ..... 28-31  
 CDRS150  
 CDRS200  
 CDRS250

**S**  
**Steel Plywood/Sheathing Clips** ..... 20  
 CDPC12  
 CDPC1532  
 CDPC34  
 CDPC38  
 CDPC58  
 CDPC716

**Straps - CDMS Series** ..... 26-27  
 CDMS21  
 CDMS24  
 CDMS27  
 CDMS30  
 CDMS33  
 CDMS36  
 CDMS39

**T**  
**"T" Strap Ties** ..... 6  
 CD6TS

**Tie Plate Anchor Series** ..... 18-19  
 CDTPA4  
 CDTPA6

**Trademarks** ..... 66

**Truss and Rafters** ..... 54-63

**Truss Spacer / Bracer** ..... 55  
 CDTBR24

**Twist Straps - CDLST Series** ..... 21  
 CDLS9T  
 CDLS12T  
 CDLS15T  
 CDLS18T  
 CDLS21T  
 CDLS24T

**W**  
**Warranty** ..... 66

## Warranty

### WARRANTY

Our products are manufactured in accordance with company standards and/or industry standards, as applicable. All ClarkDietrich Building Systems products are covered by our standard warranty which is contained in our Standard Terms and Conditions of Sale and which will be provided upon request. Generally, we warrant our products will be free from defects in material and workmanship at the time of shipment, subject to the limitations stated in the warranty. Unless specifically agreed in writing by us with respect to specific orders, we do not make any warranty of merchantability or fitness for a particular purpose. The buyer is responsible to assure that buyer orders the appropriate product for any applicable code or specification requirements.

**NOTICE:** Our liability is expressly limited to replacement of defective products. We shall not be liable for incidental and consequential damages, nor for any loss caused by misuse or misapplication of our products. Any claim shall be deemed waived unless made in writing to us within thirty (30) days from the date it was or reasonably should have been discovered.

## Clip Express<sup>SM</sup> CODE APPROVALS AND PERFORMANCE STANDARDS

ClarkDietrich Clip Express products meet or exceed these applicable performance standards.

**AISI S100-16 (2020) w/S2-20: North American Specification for the Design of Cold-Formed Steel Structural Members, 2016 Edition (Reaffirmed 2020), with Supplement 2, 2020 Edition**

### ASTM International

#### Material specifications

**ASTM A1003 (NS33, ST33H, ST50H)**

#### Corrosion Protection standards

**ASTM A653** Zinc-coated hot-dip process

Allowable loads for ClarkDietrich connectors in this catalog are determined by calculations and test criteria established by industry, such as ICC-ES Acceptance Criteria, IAPMO UES Evaluation Criteria and ASTM test standards.

ClarkDietrich connectors are evaluated in accordance with ICC-ES AC13-Acceptance Criteria. Evaluation is based on a minimum of three static load tests in wood assemblies. The published allowable load is the lower of the tested ultimate with a safety factor of 3, load at 1/8" deflection or the NDS fastener calculation limits.

For additional information regarding ClarkDietrich testing, products or reports, go to [clarkdietrich.com](http://clarkdietrich.com) or contact ClarkDietrich.

Code Reference	Code Evaluation Agency	Building Code Coverages
IBC	ICC-ES IAPMO UES	International Building Code (IBC) International Residential Code (IRC)

ClarkDietrich is a proud member of the Steel Framing Industry Association (SFIA). Check the updated list of Certified Production Facilities at Intertek's website at [www.intertek.com](http://www.intertek.com).

### LEED<sup>®</sup> Services

#### BUILD GREEN with ClarkDietrich

ClarkDietrich is an active member of the U.S. Green Building Council and is committed to supplying quality products that are environmentally responsible. We are continually working to develop greener building products and sustainable business practices. ClarkDietrich steel framing helps contribute points toward LEED<sup>®</sup> certification. For more details contact Technical Services at 888-437-3244 or visit [www.clarkdietrich.com/LEED](http://www.clarkdietrich.com/LEED).

ClarkDietrich has prepared this literature with the utmost diligence and care for accuracy and conformance to standards.

ClarkDietrich intends this information to be accurate, informative, and helpful as a selection guide for choosing ClarkDietrich products. However, this information is only to be used for guidance and is not intended to replace the design, drawings, specifications, and decisions of a professional architect or engineer.

ClarkDietrich or its affiliates shall not be responsible for incidental or consequential damages, directly or indirectly sustained, nor for loss caused by application of our products for other than their intended uses. Our liability is limited to replacement of defective products. Claims shall be deemed waived unless they are made to us in writing within thirty (30) days of the date a problem was or reasonably should have been discovered.

ClarkDietrich reserves the right to modify or change any information contained in this literature without notification.



USGBC and related logo is a trademark owned by the U.S. Green Building Council and is used by permission.

## LOCATIONS

Clip Express Manufacturing and Sales Locations  
p. 866-638-1908

**CALIFORNIA** Sacramento

**GEORGIA** McDonough

**OHIO** Warren-East

**TEXAS** Dallas

Turn to ClarkDietrich for a complete lineup of steel construction products and services nationwide:

Interior Framing · Exterior Framing · Interior Finishing · Exterior Finishing · Clips/Connectors · Engineering



9050 Centre Pointe Dr. Suite 400  
West Chester, OH 45069

P 513.870.1100  
F 513.870.1300

[clarkdietrich.com](http://clarkdietrich.com)  
Clarkwestern Dietrich Building Systems LLC